

FRANKE



COLLE CTIONS 2023



COLLECTIONS 2023

PRODUCT CATEGORIES

Kitchen Sinks

- Stainless Steel
- Fragranite
- Tectonite

Taps

- Stainless Steel taps
- Chrome taps

Waste Management System

- Food Waste Disposer

Kitchen Solutions - Accessories

Years of experience, yet still as curious as kids.

At Franke, we have been looking for new solutions and innovations for over 100 years and our attitude still has not changed. In 1911 we combined traditional craftsmanship, precision engineering and a constant pursuit of innovation, three principles that remain at our core.



A story forged in Swiss precision

Our story began at the beginning of the last century as a small sheet-metal business in Rorschach, Switzerland, established by Hermann Franke. Since then, we opened up to the world and inaugurated manufacturing facilities all around the globe that led us to become leaders in the kitchen sinks segment, and home solutions altogether.





“ We believe that sustainability means fairness to future generations ”

Shaping our future

Preserving the environment, shaping the future.

As a company conscious of our responsibilities, we think and act today in the interests of the world of tomorrow. We work hand in hand with our partners, customers and suppliers to create a liveable future where people can also thrive.

“We believe that sustainability means fairness to future generations” – this quote from Michael Pieper, owner of the Franke Group encapsulates our company ideals. We reconcile economics and ecology and make a proactive contribution towards sustainable development – with long-lasting products, recyclable materials and smart technologies. We use the global sustainable development goals and the United Nations Global Compact (UNGC) as a guide and framework on the path to a climate-neutral future.

Putting people at the heart of our sustainability

The foundation of our new sustainability strategy rests on the three pillars of the environment, employees and the company. When it comes to environment, we focus on the production and lifecycles of our products.

As the market leader, creating reliable and innovative solutions with real added value is both a challenge and a source of motivation.

This exceptional quality enables customers to use our products for more than two decades – conserving resources in the process.

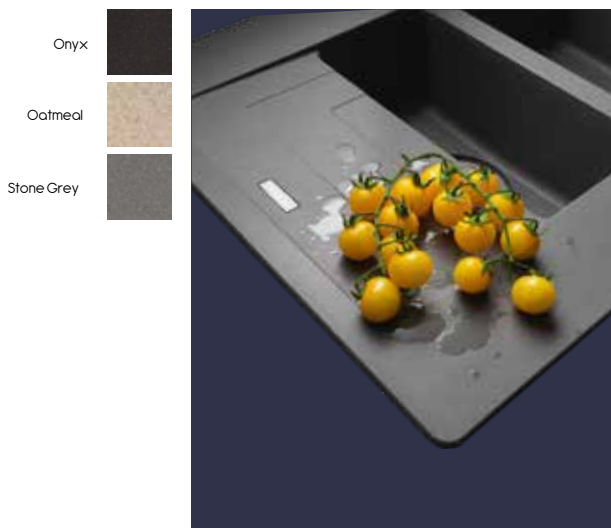
We also feel an immense responsibility towards our employees, of which there are approximately 8700 around the world. Words like appreciation and trust aren't just empty phrases to us, they're deeply embedded in our company's DNA.

We help people to stay healthy and to make their professional aspirations a reality.

Franke is synonymous with diversity, equal opportunities, cohesion and a company culture where people want to give their best and contribute their own ideas.

Show what you're made of!

Shiny or matte; smooth or stone-like, extra-strong or super trendy. Your kitchen can speak volumes about you, so every detail counts. To offer you the chance to create your very own perfect kitchen, our range of materials is designed to please any taste, match any style and resist any endeavor. Discover each material's precision-engineered character and unique benefits to choose the one that suits your needs

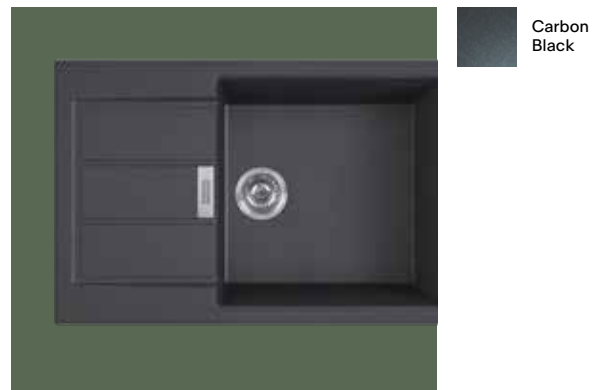


Fragranite

An exceptionally tough material, highly resistant to burns, dents, chips and stains. Pioneered by Franke, it's a unique material with a subtle sheen that is warm to the touch thanks to its 80% of granite. Also, Fragranite treated with Sanitized® reduces bacteria and microbe growth by 99%. A more than relevant feature for our kitchens, as bacteria can multiply every 20 minutes making the kitchen's surfaces highly unhygienic.

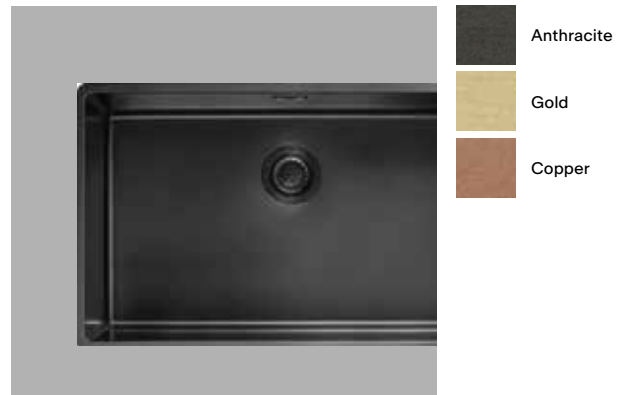
Tectonite

Heat, shock and impact don't scare our Tectonite. Sturdiness combined with unique design freedom makes Tectonite sinks the ultimate choice for hardworking, stylish kitchens. New technology represents a giant leap forward for synthetic materials, whilst allowing for exciting minimalist designs in a new plethora of trendy colours.



F-Inox Technology

An exclusive Franke coating able to group water molecules and allowing you to dry your sink without ring stains. Water repellent and scratch-resistant, this futuristic coating also fears no heat up to 350°. A real and long-lasting beauty formula that you can appreciate from our Masterpiece family.



Stainless Steel

Whether you prefer the more reflective qualities of the polished finish or the more subtle look of the silk or brushed finishes, which give a more matt sheen, there is a Stainless Steel solution for you. Any Franke Stainless Steel product is made from premium quality chrome nickel steel, which looks stunning and is highly resistant to staining, rust and corrosion - plus it won't chip, craze, flake, or break. If Stainless Steel is one of the most popular materials in the kitchen, it's for good reason.

PVD Coating

PVD, standing for 'Physical Vapor Deposition', is a coating technology that makes tapware even more resistant to abrasions, scratches and corrosion and offers exceptional aesthetic features as well. A tap treated with a PVD coating even resists UV rays and makes fingerprints less visible in a busy kitchen. Available in different finishes, with chrome remaining the most popular, there are now an array of other stunning finishes to choose from. From solid stainless steel, which combines beauty with durability, brass and gunmetal to Industrial Black, Copper and Gold, you really can find something to suit every style of kitchen.



AUSTENITIC STAINLESS STEELS (SS 304 - AUSTENITIC GRADE)

All Franke Stainless steel sinks are manufactured using only SS 304 Austenitic grade. Austenitic stainless steel are chromium & nickel containing stainless steel with very low carbon content. Austenitic 304 stainless steels formed through the generous use of austenitizing elements such as nickel, manganese and nitrogen. Chromium content is range of 18% and nickel content in range of 8%. They are non-magnetic but can become slightly magnetic when cold worked. Cold working also enhances their strength. Austenitic stainless steel have mechanical properties over a wide range of temperatures. In addition, these steel are easy to clean, which enhances their use in applications in hygienic and sterile environments.

Quality in shining armour

Beautiful and made for real-life use. Steel represents our kitchen ideal.

The sheer quality of Franke products can be seen and felt. We use AISI 304 18/8 steel, which is produced in Italy and Europe: a choice that reflects our dedication to quality, one of our core priorities over the 100-plus years of our history.

Strong and robust, it maintains its brilliance over time, making it the defining feature of the living spaces in which it is installed.

Its superb technical features ensure that it is always in demand, and highly appreciated by professionals in the haute cuisine sector: furthermore, stainless steel is an extremely hygienic material, and is easy to clean and recyclable. Aesthetically pleasing and functional to use: stainless steel really represents quality in shining armour.

Durable

The specific concentrations of nickel and chrome in AISI 304 18/8 steel render it particularly resistant to extreme temperatures. Its brilliance does not fade over time; on the contrary, its beauty and appeal only increase.

Easy to maintain

Steel is easy to maintain; just a few simple daily steps ensure that it remains a joy to use over time. Skip to the next page for tips on how to take care of Franke steel.

Functional

Steel is the material of choice for kitchen professionals, due to the fact that it is resistant, hygienic and safe. Its non-porous surface is extremely easy to clean.

Sustainable and ecological

An environmentally friendly material that is 100% recyclable, can be sourced from scrap materials, and produced without toxic waste.



TECHNOLOGY IN STAINLESS STEEL SINKS

A world leader in the production of sinks, Franke offers a unique range of products comprising models at the very pinnacle of functionality and design, complete with various accessories that epitomize practicality and efficiency.

Exclusive treatments: To further improve the quality of the steel, enhance the sheen and increase its resistance to wear, Franke carries out exclusive brushing and polishing treatments. The treatment, applied to hobs and sinks alike, also enhances the visual aspect of each solution.



Years of research and experimentation have allowed Franke to guarantee the use of premium quality raw materials and the creation of excellent finished products in terms of: form and function; ease of use and total safety; water and energy savings with environmental protection in mind.

Only The Best Steel:

Franke collection offers AISI 304 18/8 steel for the manufacture of its sinks. This stainless steel is highly resistant to rust and to the aggressive action of acids and chemical products.

Differentiated Solutions:

Franke offers built-in, under-top and top-flush solutions to satisfy all sink integration requirements while enhancing visual appeal and practicality.



TECHNOLOGY IN STAINLESS STEEL SINKS

Innovative Steel: Franke has always been committed to researching innovative material combining beauty, quality and performance.

Satin Finish Steel: Franke enhances its durable and flexible steel with an exclusive non-scratch satin finish for lasting elegance and practicality. **(Brushed)**

Microdecor Steel: Designed to protect from scratches, abrasion and corrosive agents, Franke patented Microdecor finishes create a stunning aluminum effect, enhancing shapes and emphasizing the elegance of each design.



Rules for keeping steel in perfect condition:

Stainless steel is easy to clean and extremely hygienic. In fact, its smooth, non-porous surface makes it difficult for bacteria and micro-organisms to survive. The best way of caring for steel, to keep it bright and shiny and prevent scratches or unsightly marks, is to follow these few simple rules:

- The first time you use it, take extra care when treating and rinsing the surface, to avoid contact with aggressive detergents and prevent ferrous substances in the pipes from being deposited
- Always use cleaning products specifically formulated for stainless steel and do not use detergents containing chlorine, bleach, hydrochloric acid or limescale removal agents
- When cleaning, use soft cloths and not abrasive sponges or metal scourers
- Always rinse thoroughly
- Never leave wet sponges or utensils containing iron on the surface for long periods of time
- Only store containers of detergent or acidic chemical products under the sink once they have been closed



BOX CENTER



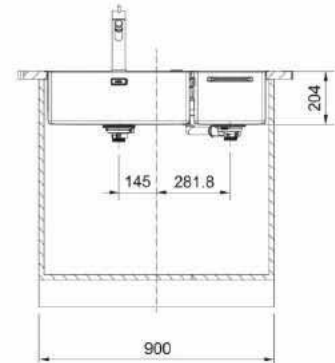
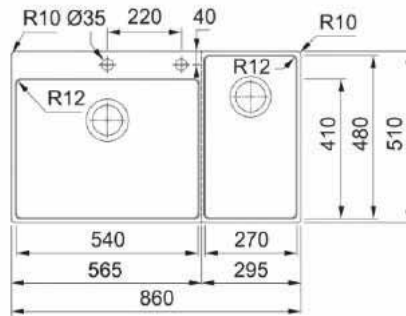
ALWAYS PREPARED



BOX CENTER- Satin Finish



BOX CENTER-BWX 220-54-27



Fun:	Dimension: (LxM)mm	Bowl Size: (LxWxD)mm	MRP: Rs.
127.0538.259	860x510	540x480x204 & 270x410x204	1,31,000/-

- State-of-the-art Centenary design
- Formed from the highest grade Stainless Steel 304 18/ 10
- Complete with wonderful accessories
- Created to fit perfectly in functionality and design
- IF Design award 2019



Accessories included



Colander



Chopping Board



Wood Chopping Board



Draining rack



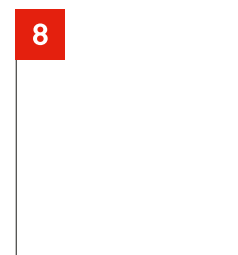
Knife Holder



3 Knives set

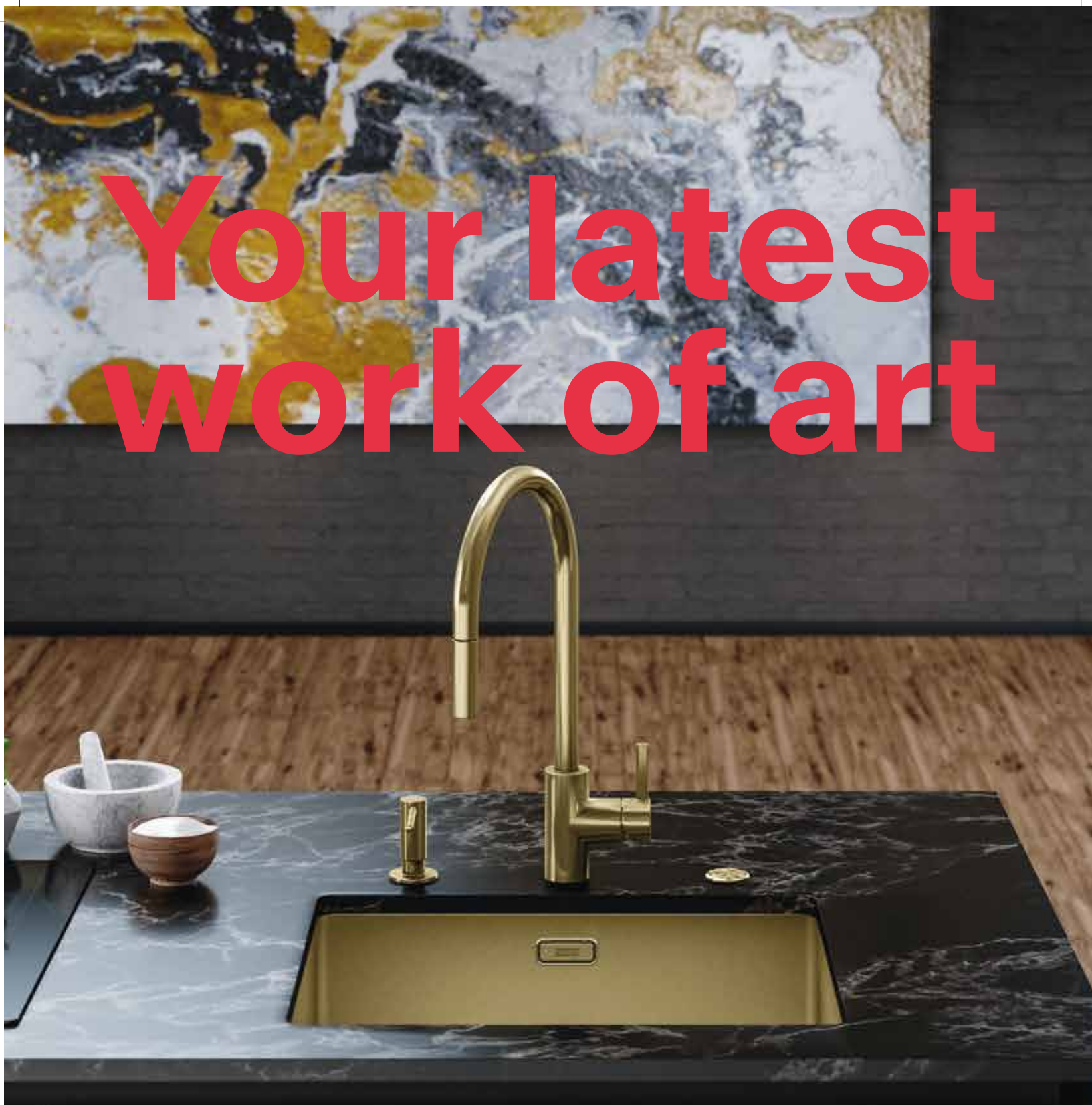


Accessories Rack



*Luxury collection series

Your latest work of art



The Mythos Masterpiece collection is treated in detail, made with premium materials and designed to make your everyday life easier with lots of coordinated accessories.

Every element comes in a palette of three pristine metallic shades for the perfect modern makeover of the kitchen: bold Anthracite, stunning Copper or sparkling Gold.

The secret behind the Mythos Masterpiece is F-Inox Technology - Franke's exclusive formula that ensures a long-lasting beauty of the bowls.

Show off your true colours with the Mythos Masterpiece collection, beauty and functionality at their best.

Discover more at [franke.com](https://www.franke.com)

F INOX
TECHNOLOGY

FRANKE

MYTHOS MASTERPIECE BOWLS



Easy to clean



Long durability



Heat proof



Discover F-Inox, an exclusive Franke coating that groups water molecules and allows you to dry your bowl without ring stains. Water repellent and scratch-resistant, this futuristic coating also fears no boiling water. A real and long-lasting beauty formula that you can appreciate from all our Mythos Masterpiece bowls.

Anthracite

Series
Product model
Bowl length
MRP

BXM Bowl
BXM 210/110-50
500mm
Rs. 1,09,990

BXM Bowl
BXM 210/110-68
685mm
Rs. 1,29,990

Series
Product Model

Eos Neo Tap
Pull-down
Spray
Rs. 49,990



FUN
+ Bowl automatic
waste and push knob*

127.0650.363

127.0650.364

FUN

115.0628.256

Copper



FUN
+ Bowl automatic
waste and push knob*

127.0662.642

127.0662.644

FUN

115.0628.254

Gold



FUN
+ Bowl automatic
waste and push knob*

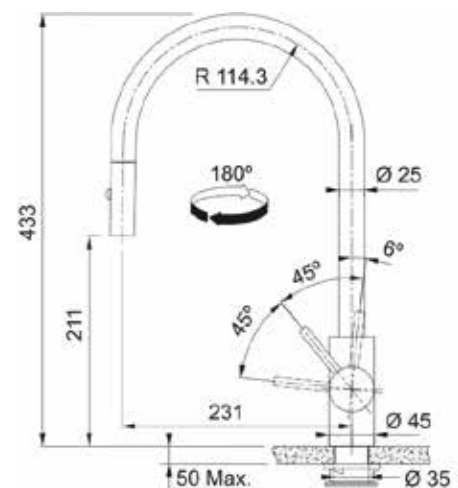
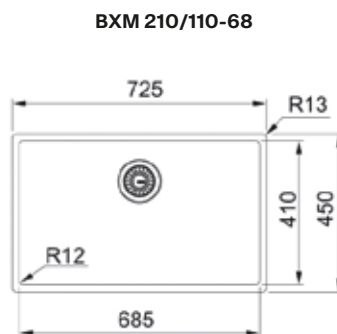
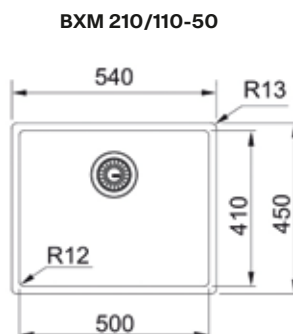
127.0662.540

127.0662.643

FUN

115.0681.244

EOS NEO TAP PULL DOWN SPRAY



ALL IN

THE FLEXIBLE FOOD PREPARATION SYSTEM

ENJOY GREAT MEALS,
WITH NO INTERRUPTIONS
IT ALL COMES TOGETHER

FRANKE



Simple, multifunctional, stylish
and playful, All - In -The
Flexible Food Preparation System
offers a smarter cooking flow with no
interruptions, from chopping to storing
and finally tidying up... for a
rediscovered kitchen universe



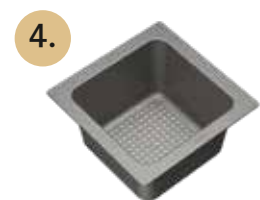
1. Telescopic Bridge



2. Bamboo Board



3. Large Strainer



4. Small Strainer



5. Small Collector Bowl



6. Bamboo Lid



7. Foldable Silicone Pad



8. Storage Box



9. Soap Dispenser



10. Vega Swivel Spout



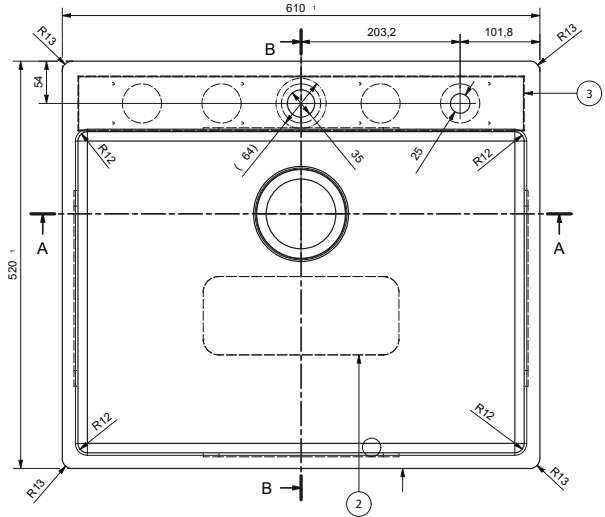
11. Plumbing Kit (Single Bowl)



Plumbing Kit (Double Bowl)

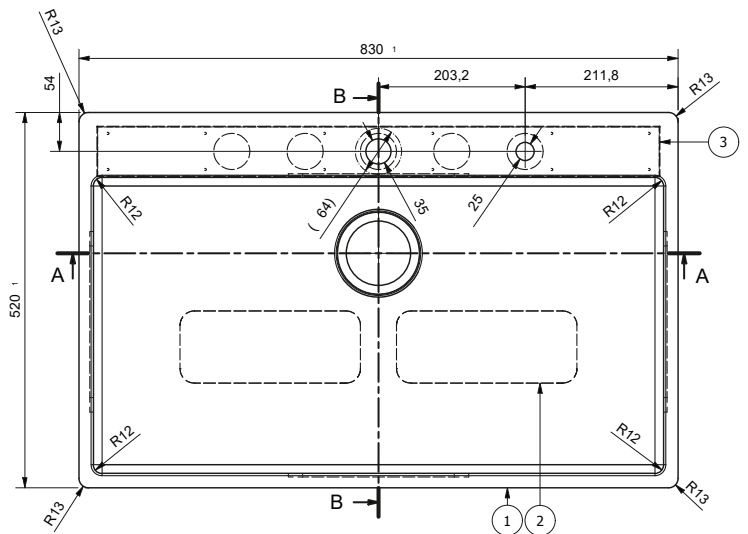


BXX 210/110-57 3 1/2" WWK TL TH DH SIP (24"x 20")



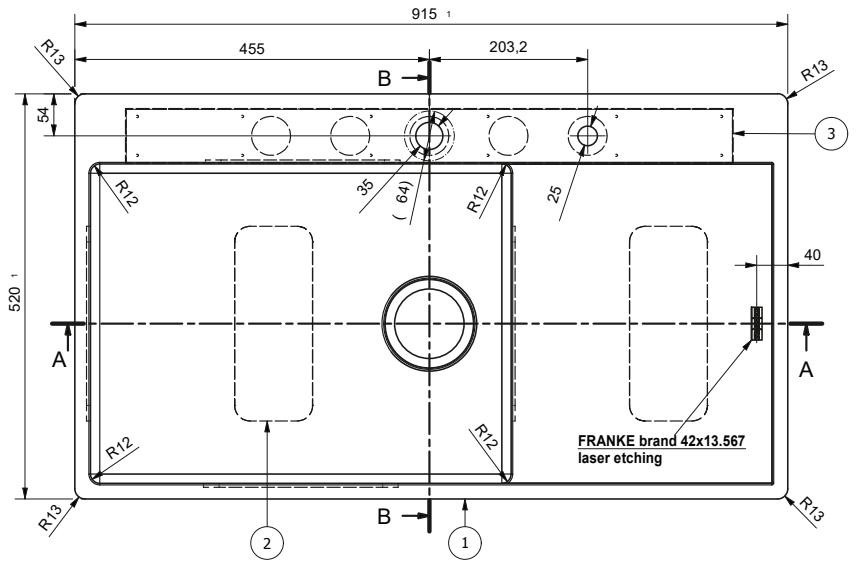
Fun:	Dimension: (LxW) mm / inch	Bowl Size: (LxWxD) mm	MRP: Rs.
127.0685.915	610 x 520 / 24x20	570 x 410 x 210	49,990/-

BXX 210/110-79 3 1/2" WWK TL TH DH SIP (33"x20")



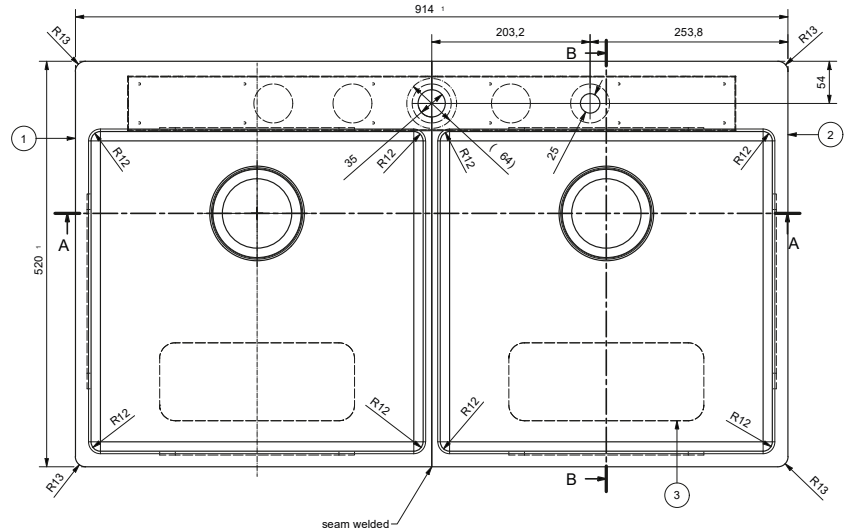
Fun:	Dimension: (LxW) mm / inch	Bowl Size: (LxWxD) mm	MRP: Rs.
127.0685.917	830 x 520 / 33x20	790 x 410 x 210	52,990/-

BXX 211/111-92 3 1/2" WWK RHD TL TH DH (36"x 20")



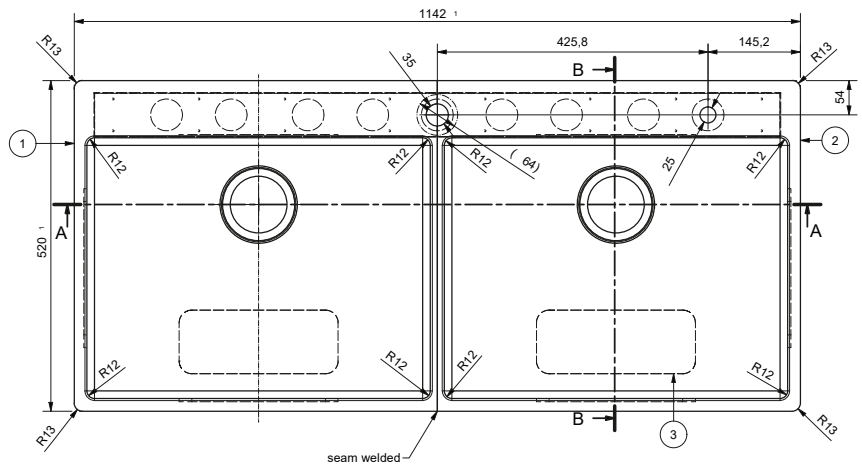
Fun:	Dimension: (LxW) mm / inch	Bowl Size: (LxWxD) mm	MRP: Rs.
127.0685.920	915 x 520 / 36x20	540 x 410 x 210	54,990/-

BXX 220/120-43-43 3 1/2" WWK TLTH DH NOF (36"x 20")



Fun:	Dimension: (LxW) mm / inch	Bowl Size: (LxWxD) mm	MRP: Rs.
127.0685.932	915 x 520 / 36x20	2*426 x 410 x 210	67,990/-

BXX 220/120-54-54 3 1/2" WWK TLTH DH NOF (45"x 20")



Fun:	Dimension: (LxW) mm / inch	Bowl Size: (LxWxD) mm	MRP: Rs.
127.0685.934	1142 x 520 / 45x20	2*540 x 410 x 210	69,990/-



ALL IN

GREAT MEALS, NO INTERRUPTIONS IT ALL COMES TOGETHER WITH ALL-IN

Transforming your sink into a stylish and playful workstation, **All-In** is the flexible food preparation system designed to bring more flow to your kitchen and life.

Well-equipped and intuitive, this modular accessory system **that fits the sink*** has all you need to prepare meals with ease; saving you time and space and allowing you to shift seamlessly between different tasks.

So, for great meals with no interruptions, it all comes together with All-In.



red dot winner



*with BOX ELITE PACKAGE

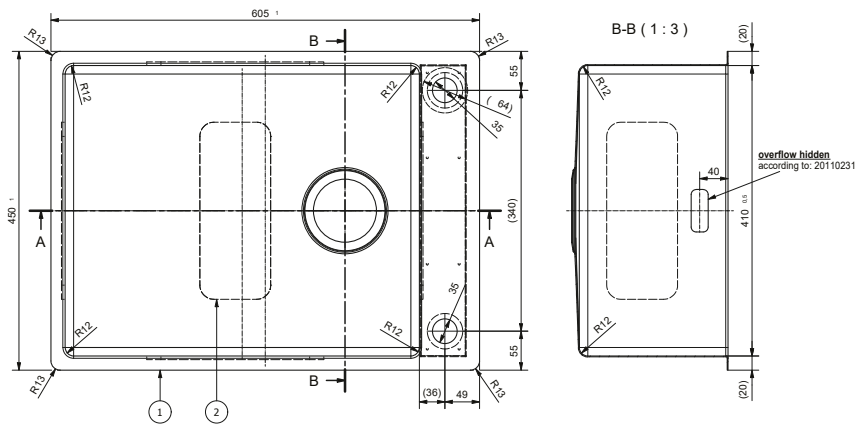


BOX DELUXE

THE
JOY OF
PRECISION

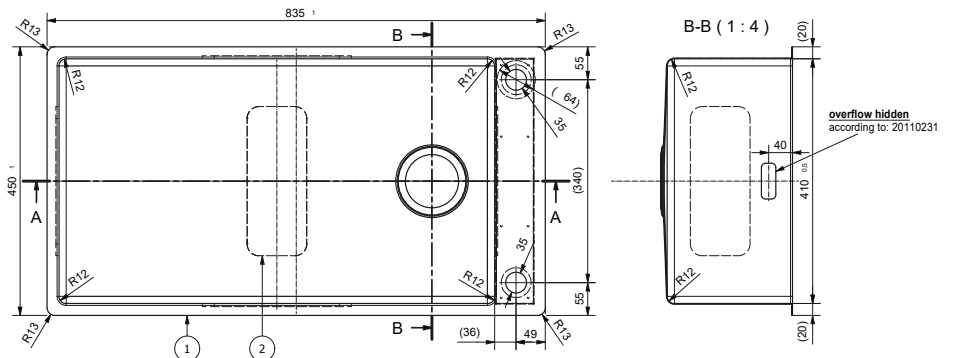


BXX 210/110-50 3 1/2" (24"x 18")



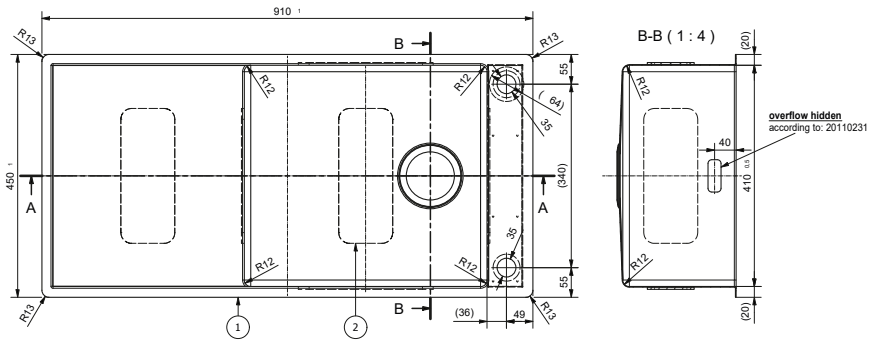
Fun:	Dimension: (LxW) mm / inch	Bowl Size: (LxWxD) mm	MRP: Rs.
127.0707.405	605 x 450 / 24x18	500 x 410 x 210	24,990/-

BXX 210/110-73 (33"x18")



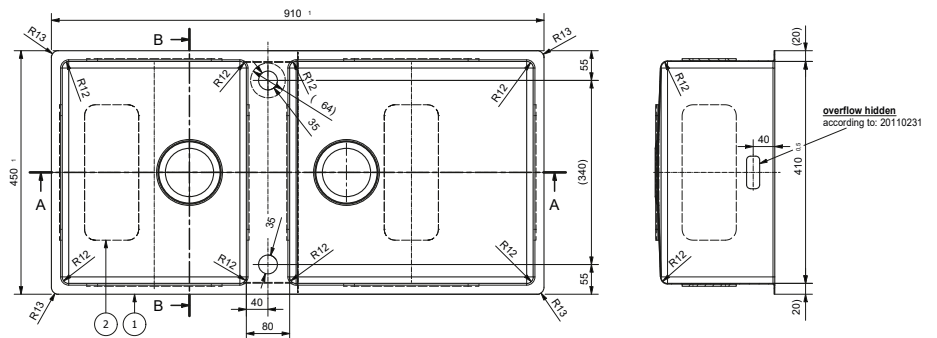
Fun:	Dimension: (LxW) mm / inch	Bowl Size: (LxWxD) mm	MRP: Rs.
127.0707.406	835 x 450 / 33x18	730 x 410 x 210	26,990/-

BXX 211/111-91 (36"x 18")



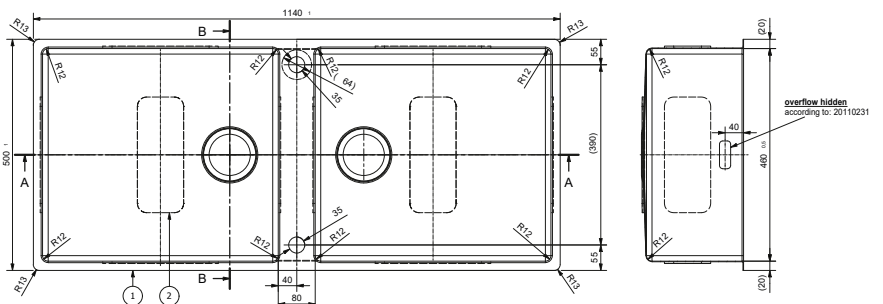
Fun:	Dimension: (LxW) mm / inch	Bowl Size: (LxWxD) mm	MRP: Rs.
127.0707.407	910 x 450 / 36x18	450 x 410 x 210	31,990/-

BXX 220/120-34-45 OF (36"x 18")



Fun:	Dimension: (LxW) mm / inch	Bowl Size: (LxWxD) mm	MRP: Rs.
127.0707.408	910 x 450 / 36x18	340/450 x 410 x 210	33,990/-

BXX 220/120-54-54 (45"x 20")



Fun:	Dimension: (LxW) mm / inch	Bowl Size: (LxWxD) mm	MRP: Rs.
127.0707.409	1142 x 500 / 45x20	2*510 x 460 x 210	39,990/-

Note: All the Box Deluxe Sink are Reversible



NEPTUNE - Microdecor Finish

Microdecor Finish

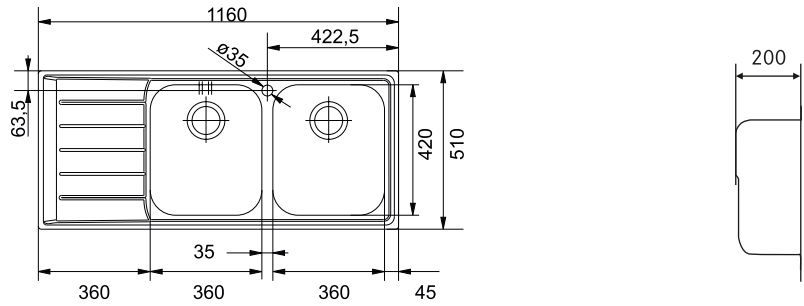
The distinctive pattern of Microdecor Steel is so light as to be almost invisible, recalling the effect of aluminum and giving the steel a unique, inimitable appearance. Any scratches only damage the tiny convex areas of the surface, while the imperceptible concave zones prevent the formation of visible marks.



NEPTUNE - Microdecor Finish

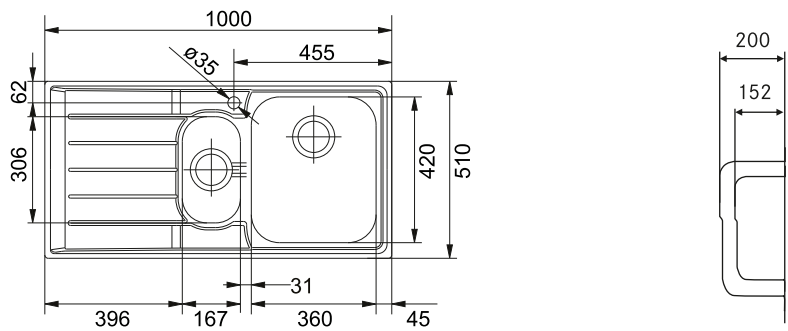


NET 621



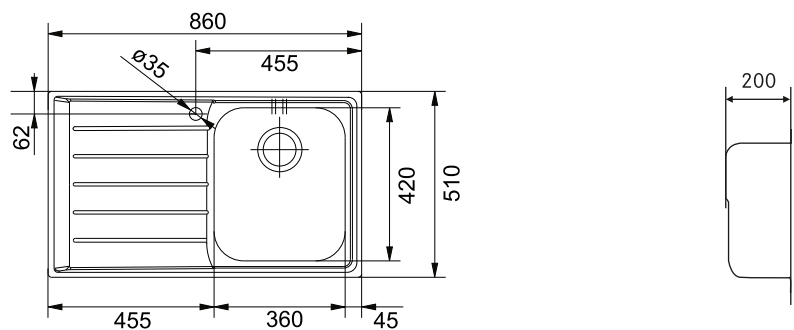
Fun:	Dimension: (LxM)mm	Bowl Size: (LxWxD)mm	MRP: Rs.
RHD:101.0253.262	1160x510	2*360x420x200	38,090/-
LHD:101.0261.835	1160x510	2*360x420x200	38,090/-

NET 651



Fun:	Dimension: (LxM)mm	Bowl Size: (LxWxD)mm	MRP: Rs.
RHD:101.0253.263	1000x510	360x420x200/167x306x152	34,390/-
LHD:101.0253.836	1000x510	360x420x200/167x306x152	34,390/-

NET 611



Fun:	Dimension: (LxM)mm	Bowl Size: (LxWxD)mm	MRP: Rs.
RHD:101.0262.014	860x510	360x420x200	26,690/-
LHD:101.0262.013	860x510	360x420x200	26,690/-

BOX CLASSIC



red dot award
winner

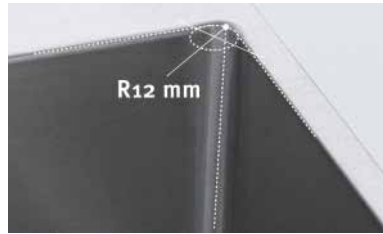
BOX CLASSIC

INSTALL PERFECTION IN A MOMENT

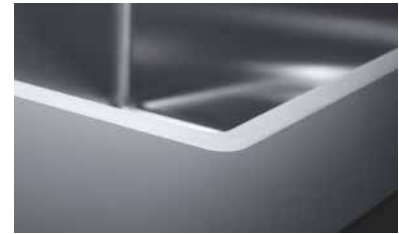
A Red Dot award-winner for best-in-class design, the Box range of sinks helps you get the job done simply and with style.

- Easy to install as a built-in sink, slimtop or undermount
- Premium quality stainless steel. High stain and corrosion resistance

Features:



R12 mm Radius, Free from sludge deposition.



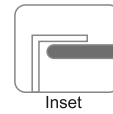
Seamless Rim with Elegant match to counter top.



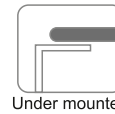
Suited for Under Mount also

All Franke stainless steel BOX or Square are sound insulated to reduce the sound of water in the bowl. This is achieved by rubber insulation pads under the sink, or by a sprayed dynaphon layer, applied during manufacturing. The grey dynaphon spray also insulates, minimizing heat escaping from the bowl, keeping water warmer for longer.

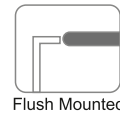
BOX CLASSIC



Inset

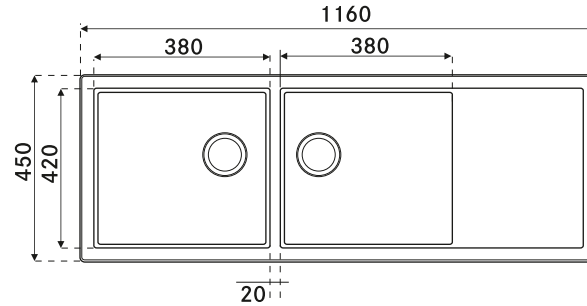


Under mounted



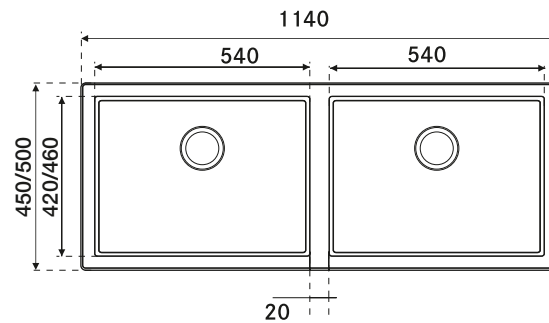
Flush Mounted

BXX 221/121-116 3 1/2" WWK REV NTH R12 (46"x18")



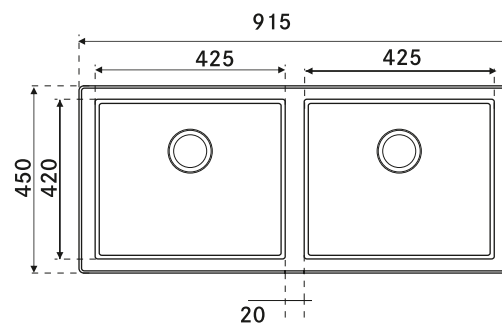
Fun:	Dimension: (LxW) mm / inch	Bowl Size: (LxWxD) mm	MRP: Rs.
127.0595.013	1160 x 450 / 46x18	2*380 x 410 x 210	27,090/-

BXX 220/120-54-54 3 1/2" NWK NTH NOF R12 (45" x 18") BXX 220/120-54-54 3 1/2" NWK NTH NOF R12 (45" x 20")



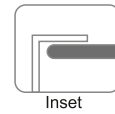
Fun:	Dimension: (LxW) mm / inch	Bowl Size: (LxWxD) mm	MRP: Rs.
127.0516.117	1140 x 450 / 45x18	2*540 x 410 x 210	24,690/-
127.0703.262	1140 x 500 / 45x20	2*540 x 460 x 210	26,290/-

BXX 2/120-42-42 3 1/2" WWK NTH NOF FRL (36"x18")

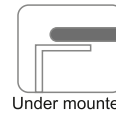


Fun:	Dimension: (LxW) mm / inch	Bowl Size: (LxWxD) mm	MRP: Rs.
127.0577.938	915 x 450 / 36x18	2*425 x 410 x 210	21,690/-

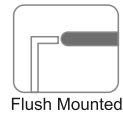
BOX CLASSIC



Inset

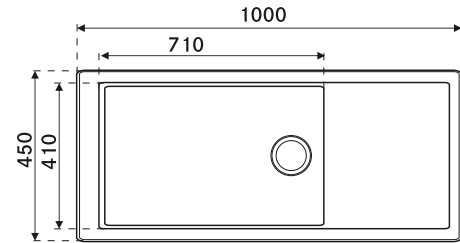


Under mounted



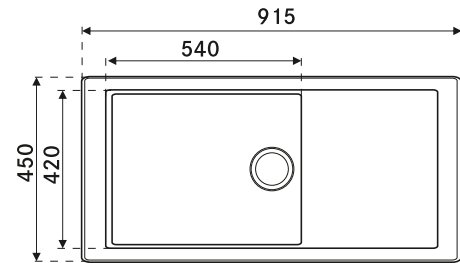
Flush Mounted

BXX 211/111-100 31/2" NWK NTH NOF FRL (40"x18")



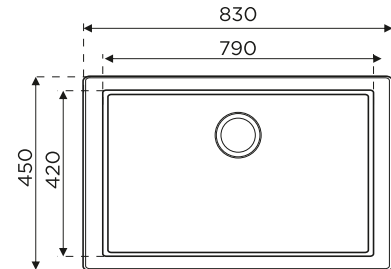
Fun:	Dimension: (LxW) mm / inch	Bowl Size: (LxWxD) mm	MRP: Rs.
127.0657.315	1000 x 450 / 40x18	710 x 410 x 210	20,490/-

BXX 211/111-54 3 1/2" WWK REV NOF NTH (36"x18")



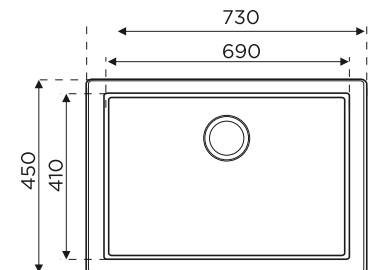
Fun:	Dimension: (LxW) mm / inch	Bowl Size: (LxWxD) mm	MRP: Rs.
127.0516.116	915 x 450 / 36x18	540 x 410 x 210	20,190/-

BXX 210/110-79 3 1/2" WWK ND NOF NTH R12 (33"x18")



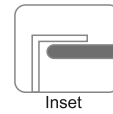
Fun:	Dimension: (LxW) mm /(inch)	Bowl Size: (LxWxD)mm	MRP: Rs.
127.0516.115	830x 450/ 33x18	790 x 410 x 210	15,990/-

BXX 210/110-69 31/2" NWK NTH NOF FRL (30"x18")

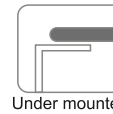


Fun:	Dimension: (LxW) mm /(inch)	Bowl Size: (LxWxD)mm	MRP: Rs.
127.0657.314	730x 450/ 30x18	690 x 410 x 210	15,490/-

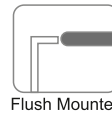
BOX CLASSIC



Inset

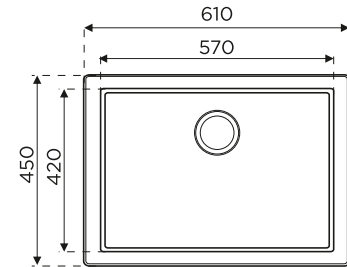


Under mounted



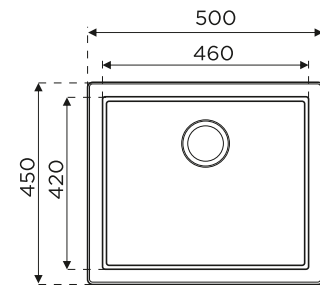
Flush Mounted

BXX 210/110-57 3 1/2" WWK ND NOF NTH R12 (24"x18")



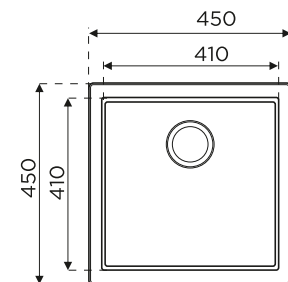
Fun:	Dimension: (LxW) mm / (inch)	Bowl Size: (LxWxD)mm	MRP: Rs.
127.0516.112	610 x 450/ 24x18	570 x 410 x 210	14,790/-

BXX 210/110-46 3 1/2" WWK ND NOF NTH R12 (20"x18")



Fun:	Dimension: (LxW) mm/ (inch)	Bowl Size: (LxWxD)mm	MRP: Rs.
127.0516.111	500 x 450/ 20x18	460 x 410 x 210	12,790/-

BXX 210/110-41 3 1/2" WWK NTH NOF FRL (18"x18")



Fun:	Dimension: (LxW) mm/ (inch)	Bowl Size: (LxWxD)mm	MRP: Rs.
127.0657.313	450 x 450/ 18x18	410 x 410 x 210	10,790/-

BOX - European Satin Finish



ACCESSORIES AVAILABLE



Chopping Board



Plastic Colander

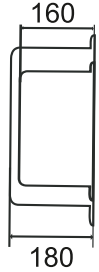
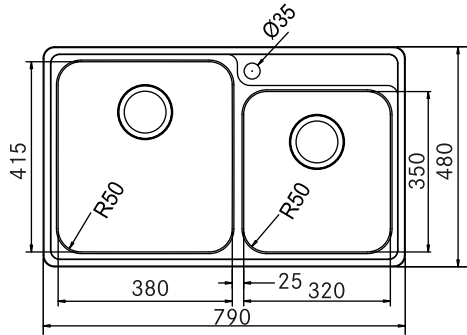


Wire Basket



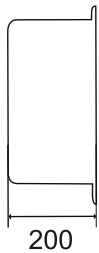
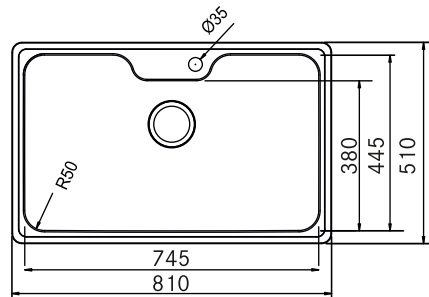
BELL - European Satin Finish (Accessories Not Included)

BCX 620-38/32(32"x18") (Accessories Not Included)



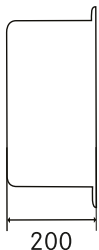
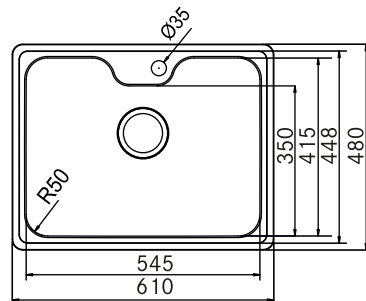
Fun:	Dimension: (LxW) mm / inch	Bowl Size: (LxWxD) mm	MRP: Rs.
101.0489.192	790x480/32x18	380x415x180 & 320x350x160	21,490/-

BCX 610-81(33"x20") (Accessories Not Included)



Fun:	Dimension: (LxW) mm / inch	Bowl Size: (LxWxD) mm	MRP: Rs.
101.0489.191	810x510 / 33x20	745x445x200	18,990/-

BCX 610-61(24"x18")(Accessories Not Included)



Fun:	Dimension: (LxW) mm / inch	Bowl Size: (LxWxD) mm	MRP: Rs.
101.0489.050	610x480 / 24x18	545x448x200	16,590/-

Artisan - European Satin Finish

"Designed in Switzerland" 

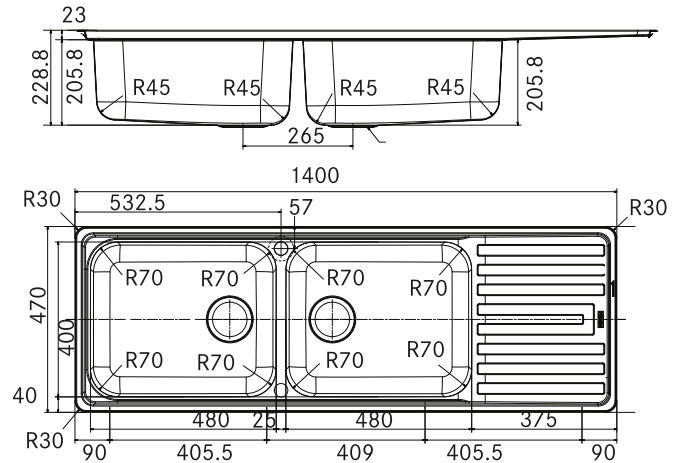
Internationally respected promises of innovation, quality and design.

The new minimalistic bowl covers nearly all planning needs forming an elegant unit with any counter-top (natural or artificial).



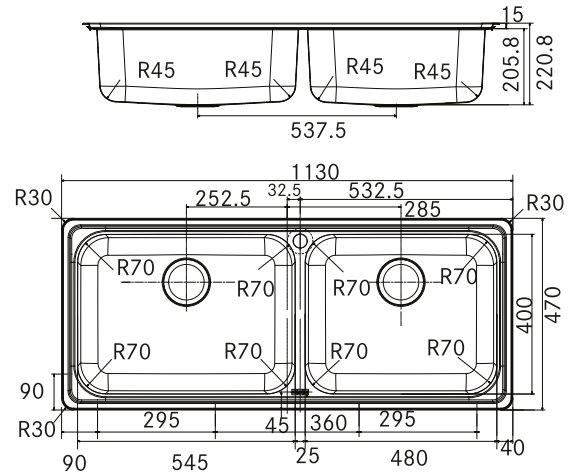
Artisan - European Satin Finish

RSX 621(55"x18")



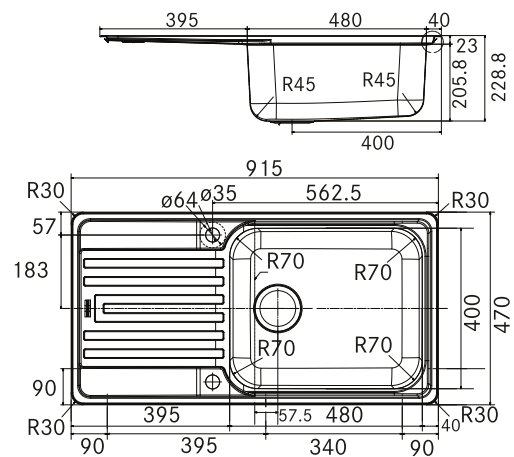
Fun:	Dimension: (LxW) inch	Bowl Size: (LxWxD) mm	MRP: Rs.
101.0539.496	55 x 18	2x (480 x 400 x 228.8)	18,990/-

RSX 620-55-48 (45"x18")



Fun:	Dimension: (LxW) inch	Bowl Size: (LxWxD) mm	MRP: Rs.
101.0536.744	45 x 18	545 x 400 x 220.8 & 480 x 400 x 220.8	16,490/-

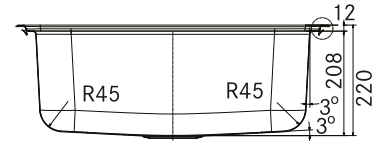
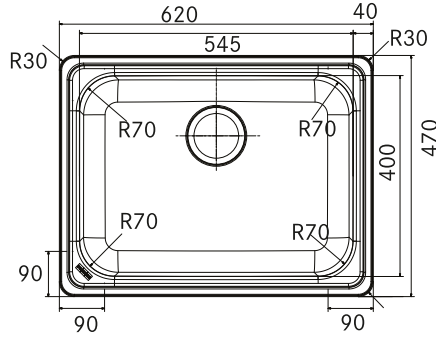
RSX 611-91 (36"x18")



Fun:	Dimension: (LxW) inch	Bowl Size: (LxWxD) mm	MRP: Rs.
101.0539.493	36 x 18	480 x 400 x 228.8	9,790/-

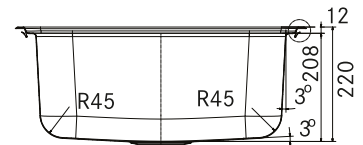
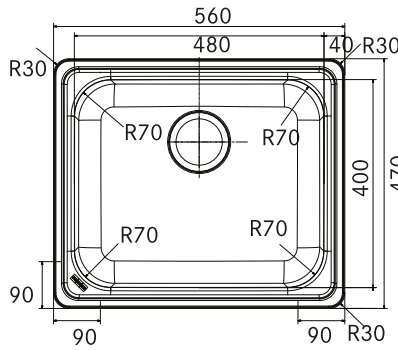
Artisan - European Satin Finish

RSX 610-63 (24"x18")



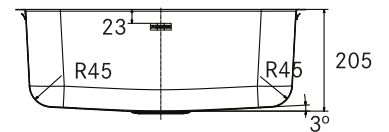
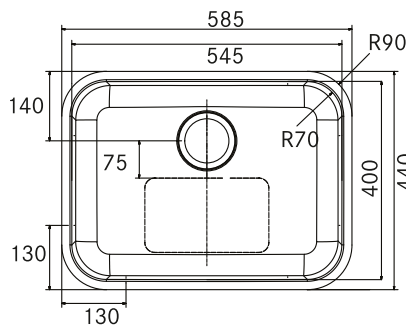
Fun:	Dimension: (LxW) inch	Bowl Size: (LxWxD) mm	MRP: Rs.
101.0539.491	24 x 18	545 x 400 x 220	7,590/-

RSX 610-56 (22"x18")



Fun:	Dimension: (LxW) inch	Bowl Size: (LxWxD) mm	MRP: Rs.
101.0539.492	22 x 18	480 x 400 x 220	6,590/-

RSX 210-55 (23"x18")



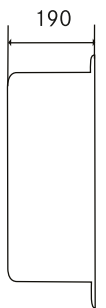
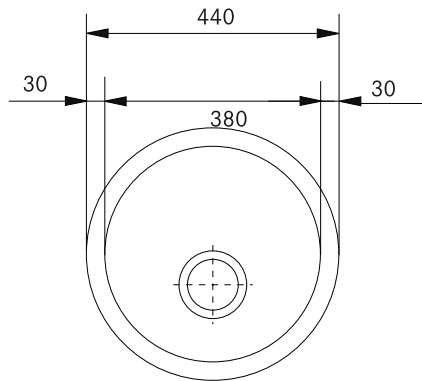
Fun:	Dimension: (LxW) mm / inch	Bowl Size: (LxWxD) mm	MRP: Rs.
127.0544.091	23 x 18	545 x 400 x 205	7,490/-

LUGANO - European Satin Finish

(IMPORTED)



LUX 610



Fun:	Diameter: (Ø)mm	Bowl Size: (ØxDepth)mm	MRP: Rs.
101.0253.181	440	380 x 190	8,690/-

FRANKE URBAN RANGE FRAGRANITE (Granite Kitchen Sinks)





FRAGRANITE

Following extensive testing and development, new Fraganite tackles the humble cleaning problem associated with composite sinks. The revolutionary new Fraganite+ technology is now available on all Franke Fraganite and Silk Sheen Fraganite sinks, which now enjoy ultra-smooth surfaces that are exceptionally easy to keep clean.

Kitchens can be a fertile breeding ground for bacteria, mold and mildew, which can lead to material damage and cause unpleasant odors and stains. On unprotected material, bacteria levels can increase every 20 minutes. The integrated Sanitized® protective function in Fraganite sinks helps to keep this area clean and provides the sink with lasting protection. It does not replace normal cleaning practices, but helps to keep surfaces clean. Fraganite treated with Sanitized® reduces bacterial odors by 99%. Sanitized® protective function helps to keep sink surfaces clean by reducing the growth of bacterial odors, mold and mildew even between cleaning.

The granite particles bonded together during manufacture are now smaller, creating a smoother, flatter surface, reducing the chances for lime scale to build up. It is also far more difficult for residue, food particles and bacteria to accumulate in between the granules, which greatly improves hygiene.

Tested against leading competitors, DuraKleen® Plus comes up trumps on stain resistance. Even after being left to sit on the sink for 18 hours, the toughest stains like beetroot, permanent marker, red wine and iodine can simply be wiped clean away.



SANITIZED®

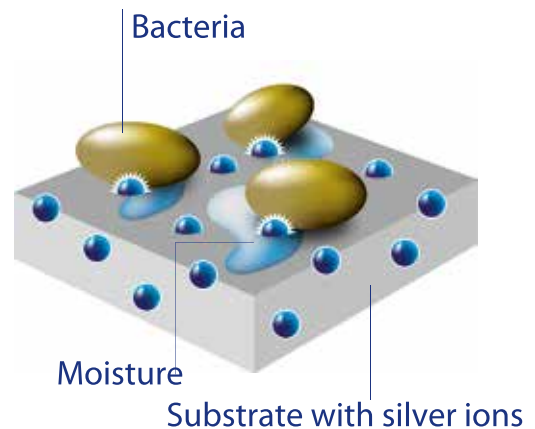


With all the foodstuff around in both raw and cooked states and at various stages of the process of cooking, kitchens are an obvious breeding ground for bacteria. Therefore, as an area that's critical to keep clean and bacteria-free, they need special attention to be paid to them.

On unprotected material, bacteria can multiply every 20 minutes and have a seriously adverse effect on hygiene. The possibility of transferring bacteria is also higher on untreated material. Which is why we have designed our Fraganite sinks with an integrated Sanitized® hygiene function. This helps to keep the area clean and provides the sink with lasting protection. It does not replace normal cleaning but helps to keep surfaces free from bacteria. Tests have proven that Fraganite treated with Sanitized® reduces bacteria and microbe growth by as much as 99%.

Sanitized® also helps to keep the sink surface hygienic and protected from bacteria and microbe growth after and in between normal cleaning cycles. So, all in all, you have an almost-bacteria-free washing-up area.

The silver ion locates the bacteria via the moisture and deactivates it.



URBAN SINKS- Fragranite Sanitized Coating Finish



Accessories included

1



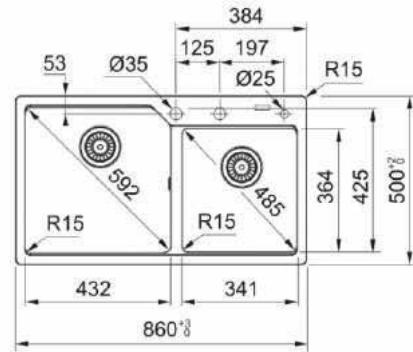
Strainer bowl



URBAN RANGE 620- 86 - Fraganite (Sanitized Coating Finish)

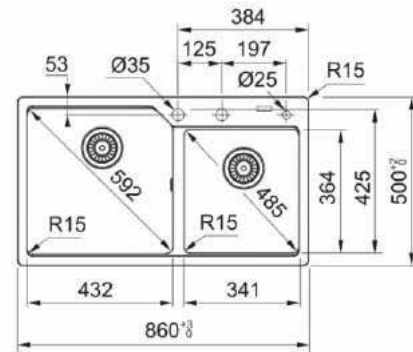


UBG 620-86 3 1/2" WWK ND WRO ON (34" x 20")



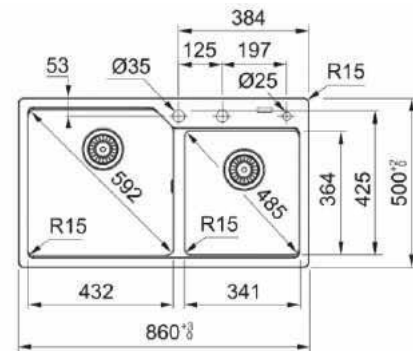
Finish:	Fun:	Dimension: (LxM)mm	Bowl Size: (LxWxD)mm	MRP: Rs.
Onyx	114.0651.606	860x500	432x425x200 & 341x364x200	26,590/-

UBG 620-86 3 1/2" WWK ND WRO OA (34" x 20")



Finish:	Fun:	Dimension: (LxM)mm	Bowl Size: (LxWxD)mm	MRP: Rs.
Oat Meal	114.0651.601	860x500	432x425x200 & 341x364x200	25,890/-

UBG 620-86 3 1/2" WWK ND WRO TH ST (34" x 20")



Finish:	Fun:	Dimension: (LxM)mm	Bowl Size: (LxWxD)mm	MRP: Rs.
Stone Grey	114.0651.621	860x500	432x425x200 & 341x364x200	25,890/-

Properties



Impact proof Resistant to impact and thermal shock. Extreme temperature to 280°C.



Colour proof The surface color will not fade over the lifetime of the product.



Scratch proof Even knives won't scratch the surface.



Stain proof The surface color will not stain or mark.



Easy-clean The surface is easy to clean.

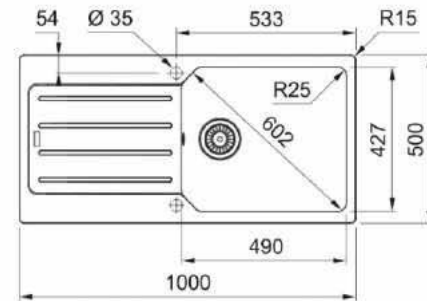


Germ proof Fraganite treated with Sanitized® reduces bacteria and microbe growth by 99%, giving the sink lasting protection.

URBAN RANGE 611 / 211-100 - Fraganite (Sanitized Coating Finish)

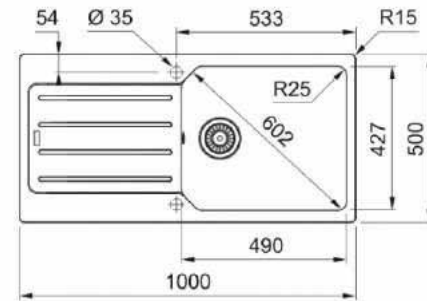
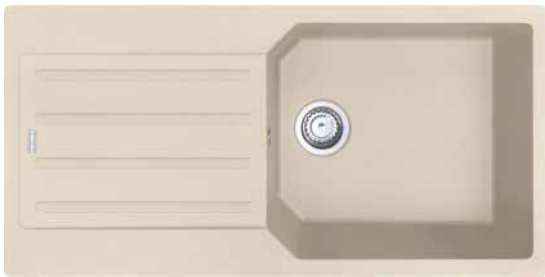


UBG 611/211-100 3 1/2" WWK REV WRO TH ON (40" x 20")



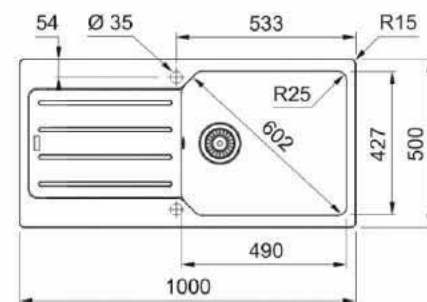
Finish:	Fun:	Dimension: (LxM)mm	Bowl Size: (LxWxD)mm	MRP: Rs.
Onyx	114.0651.605	1000x500	490x427x200	25,690/-

UBG 611/211-100 3 1/2" WWK REV WRO TH OA (40" x 20")



Finish:	Fun:	Dimension: (LxM)mm	Bowl Size: (LxWxD)mm	MRP: Rs.
Oat Meal	114.0651.600	1000x500	490x427x200	25,090/-

UBG 611/211-100 3 1/2" WWK REV WRO TH ST (40" x 20")



Finish:	Fun:	Dimension: (LxM)mm	Bowl Size: (LxWxD)mm	MRP: Rs.
Stone Grey	114.0651.610	1000x500	490x427x200	25,090/-

Properties



Impact proof Resistant to impact and thermal shock. Extreme temperature to 280°C.



Colour proof The surface color will not fade over the lifetime of the product.



Scratch proof Even knives won't scratch the surface.



Stain proof The surface color will not stain or mark.



Easy-clean The surface is easy to clean.

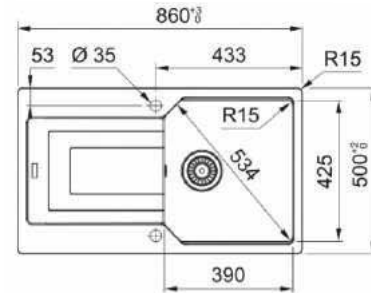


Germ proof Fraganite treated with Sanitized® reduces bacteria and microbe growth by 99%, giving the sink lasting protection.

URBAN RANGE 611 / 211-86 - Fraganite (Sanitized Coating Finish)

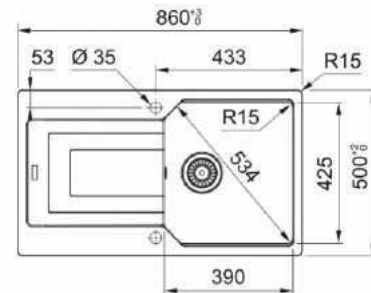


UBG 611/211-86 3 1/2" WWK REV WRO TH ON (34" x 20")



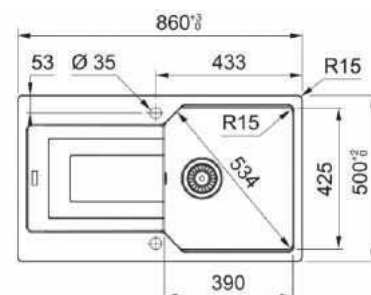
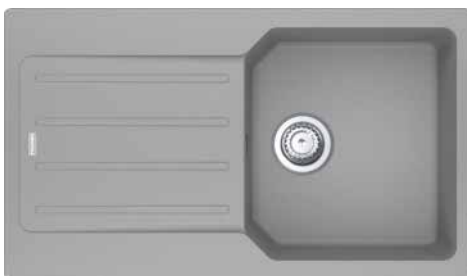
Finish:	Fun:	Dimension: (LxM)mm	Bowl Size: (LxWxD)mm	MRP: Rs.
Onyx	114.0651.604	860x500	390x425x200	23,790/-

UBG 611/211-86 3 1/2" WWK REV WRO TH OA (34" x 20")



Finish:	Fun:	Dimension: (LxM)mm	Bowl Size: (LxWxD)mm	MRP: Rs.
Oat Meal	114.0651.599	860x500	390x425x200	23,190/-

UBG 611/211-86 3 1/2" WWK REV WRO TH ST (34" x 20")



Finish:	Fun:	Dimension: (LxM)mm	Bowl Size: (LxWxD)mm	MRP: Rs.
Stone Grey	114.0651.609	860x500	390x425x200	23,190/-

Properties



Impact proof Resistant to impact and thermal shock. Extreme temperature to 280°C.



Colour proof The surface color will not fade over the lifetime of the product.



Scratch proof Even knives won't scratch the surface.



Stain proof The surface color will not stain or mark.



Easy-clean The surface is easy to clean.

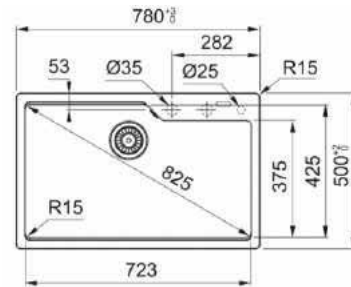


Germ proof Fraganite treated with Sanitized® reduces bacteria and microbe growth by 99%, giving the sink lasting protection.

URBAN RANGE 610/210-78- Fraganite (Sanitized Coating Finish)

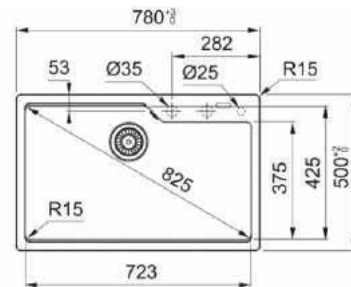


UBG 610/210-78 3 1/2" WWK ND WRO ON (31" x 20")



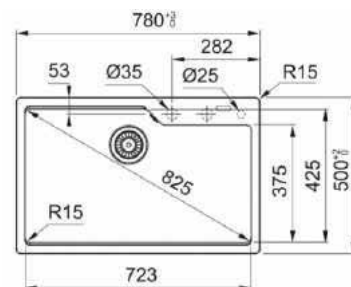
Finish:	Fun:	Dimension: (LxM)mm	Bowl Size: (LxWxD)mm	MRP: Rs.
Onyx	114.0651.603	780x500	723x425x200	22,390/-

UBG 610/210-78 3 1/2" WWK ND WRO TH OA (31" x 20")



Finish:	Fun:	Dimension: (LxM)mm	Bowl Size: (LxWxD)mm	MRP: Rs.
Oat Meal	114.0651.598	780x500	723x425x200	21,790/-

UBG 610/210-78 3 1/2" WWK ND WRO TH ST (31" x 20")



Finish:	Fun:	Dimension: (LxM)mm	Bowl Size: (LxWxD)mm	MRP: Rs.
Stone Grey	114.0651.608	780x500	723x425x200	21,790/-

Properties



Impact proof Resistant to impact and thermal shock. Extreme temperature to 280°C.



Colour proof The surface color will not fade over the lifetime of the product.



Scratch proof Even knives won't scratch the surface.



Stain proof The surface color will not stain or mark.



Easy-clean The surface is easy to clean.

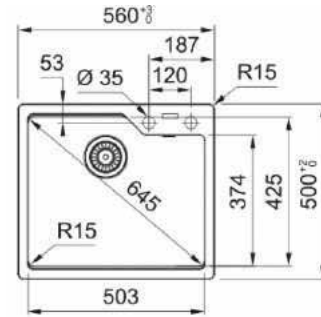


Germ proof Fraganite treated with Sanitized® reduces bacteria and microbe growth by 99%, giving the sink lasting protection.

URBAN RANGE 610 -56 -Fragranite (Sanitized Coating Finish)

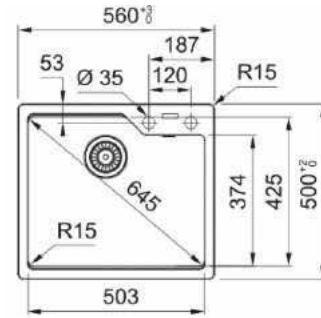


UBG 610-56 3 1/2" WWK ND WRO TH ON (22" x 20")



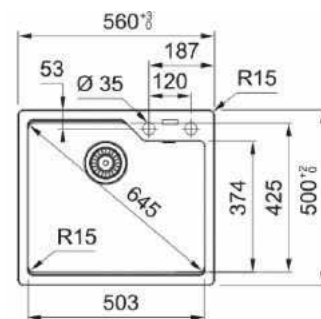
Finish:	Fun:	Dimension: (LxM)mm	Bowl Size: (LxWxD)mm	MRP: Rs.
Onyx	114.0651.602	560x500	503x425x200	20,590/-

UBG 610/210-56 3 1/2" WWK ND WRO TH OA (22" x 20")



Finish:	Fun:	Dimension: (LxM)mm	Bowl Size: (LxWxD)mm	MRP: Rs.
Oat Meal	114.0651.597	560x500	503x425x200	19,990/-

UBG 610-56 3 1/2" WWK ND WRO TH ST (22" x 20")



Finish:	Fun:	Dimension: (LxM)mm	Bowl Size: (LxWxD)mm	MRP: Rs.
Stone Grey	114.0651.607	560x500	503x425x200	19,990/-

Properties



Impact proof Resistant to impact and thermal shock. Extreme temperature to 280°C.



Colour proof The surface color will not fade over the lifetime of the product.



Scratch proof Even knives won't scratch the surface.



Stain proof The surface color will not stain or mark.



Easy-clean The surface is easy to clean.



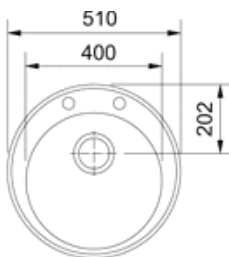
Germ proof Fragranite treated with Sanitized® reduces bacteria and microbe growth by 99%, giving the sink lasting protection.

Rondel ROG 610-41

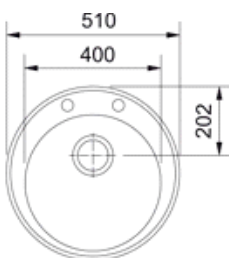




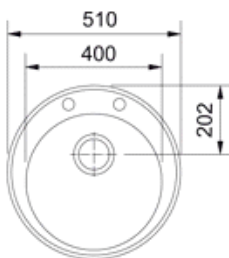
Rondel ROG 610-41-Fragranite (Sanitized Coating Finish)



Fun	Model	Color	Size	MRP
114.0686.847	Rondel ROG 610-41	Onyx	510x200	16,790/-



Fun	Model	Color	Size	MRP
114.0686.850	Rondel ROG 610-41	Oatmeal	510x200	16,090/-



Fun	Model	Color	Size	MRP
114.0686.848	Rondel ROG 610-41	Stone Grey	510x200	16,090/-

Properties



Impact proof Resistant to impact and thermal shock. Extreme temperature to 280°C.



Colour proof The surface color will not fade over the lifetime of the product.



Scratch proof Even knives won't scratch the surface.



Stain proof The surface color will not stain or mark.



Easy-clean The surface is easy to clean.



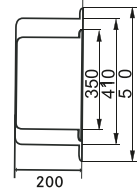
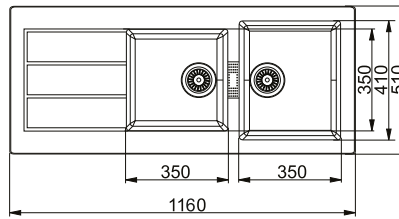
Germ proof Fraganite treated with Sanitized® reduces bacteria and microbe growth by 99%, giving the sink lasting protection.

TECTONITE®



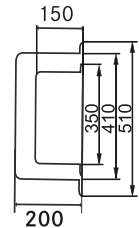
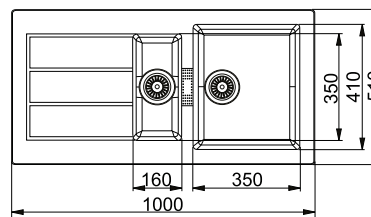
TECTONITE® [PATENDED BY FRANKE]

Tectonite 621 (46"x20")



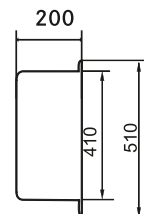
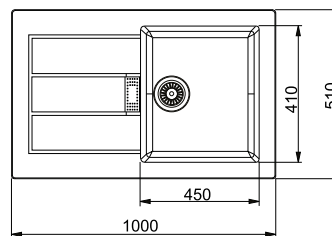
Fun:	Dimension: (LxW) mm/ (inch)	Bowl Size: (LxWxD)mm	MRP: Rs.
CB:114.0253.281	1160x500/46x20	350x410x200 & 350x350x150	30,690/-

Tectonite 651 (40"x20")



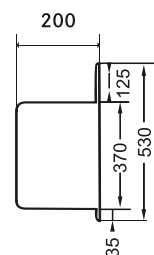
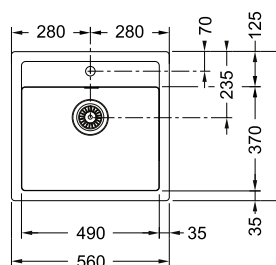
Fun:	Dimension: (LxW) mm/ (inch)	Bowl Size: (LxWxD)mm	MRP: Rs.
CB:114.0253.160	1000x500/40x20	350x410x200 & 160x350x150	25,690/-

Tectonite 611(40"x20")



Fun:	Dimension: (LxW) mm/ (inch)	Bowl Size: (LxWxD)mm	MRP: Rs.
CB: 114.0253.151	1000x500/40x20	450x410x200	23,090/-

Tectonite 610 (22"x20")



Fun:	Dimension: (LxW) mm/ (inch)	Bowl Size: (LxWxD)mm	MRP: Rs.
CB:114.0279.873	560x530/22x20	490x370x200	14,090/-

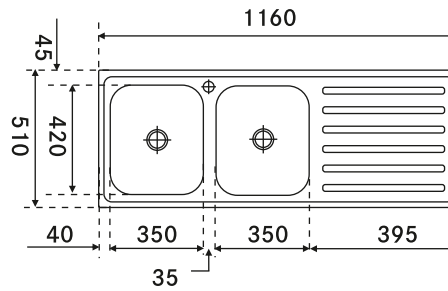
ADRIAN - European Satin Finish





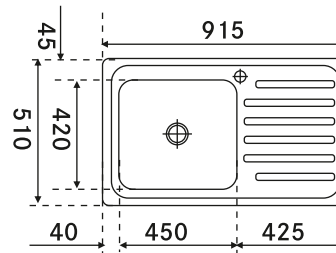
ADRIAN - European Satin

ADRIAN 621Trendy (46"x20") / AYX 621-116-18 3 1/2" WWK REV WOF NTH



Fun:	Dimension: (LxW) mm / inch	Bowl Size: (LxWxD) mm	MRP: Rs.
101.0258.710	1160x510/46x20	2*350x420x180	15,590/-

ADRIAN 611Omni (36"x20") / AYX 611-90-20 3 1/2" WWK REV WOF



Fun:	Dimension: (LxW) mm / inch	Bowl Size: (LxWxD) mm	MRP: Rs.
101.0258.689	915x510/36x20	450x420x200	10,990/-

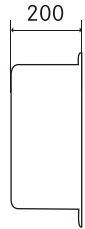
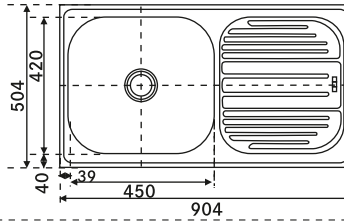


Special Safety Feature Fitted

TRADITIONAL SINKS - European Satin Finish - 1.00mm Thick

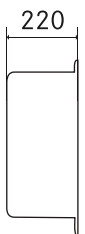
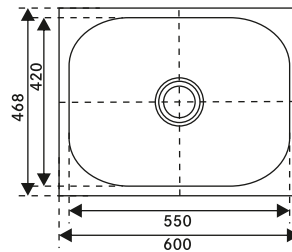


611 X Omni (36" x 20") / OMX 611-90-20 3 1/2" WWK REV NOF



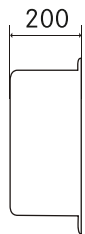
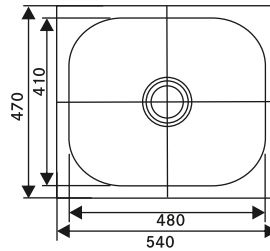
Fun:	Dimension: (LxW) mm / inch	Bowl Size: (LxWxD) mm	MRP: Rs.
101.0613.750	904x504/36x20	450x420x200	11,790/-

610 X Grand (24"x18") / GRX 610-60-22 3 1/2" WWK NOF ND



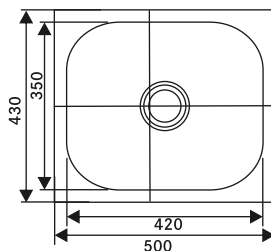
Fun:	Dimension: (LxW) mm / inch	Bowl Size: (LxWxD) mm	MRP: Rs.
101.0613.745	600x468/24x18	550x420x220	8,590/-

610 X Insti (21"x18") / ISX 610 3 1/2" WWK NOF ND

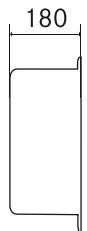
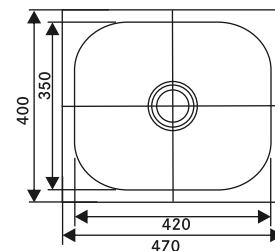


Fun:	Dimension: (LxW) mm / inch	Bowl Size: (LxWxD) mm	MRP: Rs.
101.0613.739	540x470/21x18	480x410x200	7,490/-

610 X Trendy (20"x17")



610 X Trendy (19"x16")

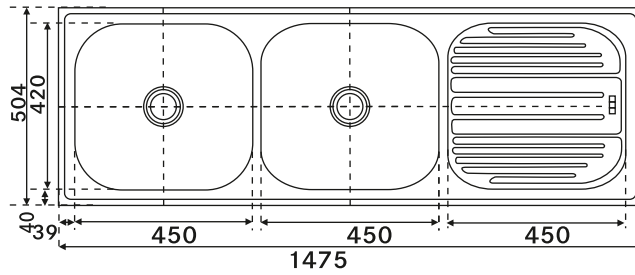


Fun:	Dimension: (LxW) mm / inch	Bowl Size: (LxWxD) mm	MRP: Rs.
101.0613.598	500x430/20x17	420x350x180	7,090/-
101.0613.565	470x400/19x16	420x350x180	6,390/-

TRADITIONAL SINKS - 621/651 SERIES - European Satin Finish

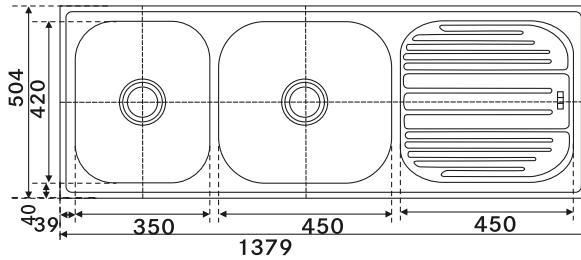


621 X Omni (59"x 20") / OMX 621-147-20 3 1/2" WWK REV NOF



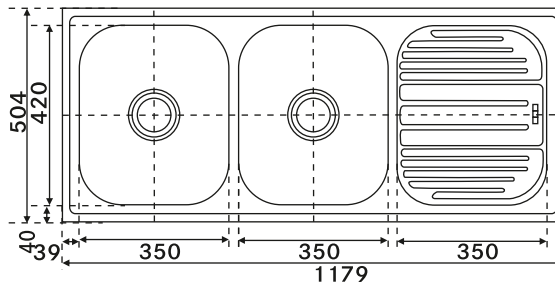
Fun:	Dimension: (LxW) mm / inch	Bowl Size: (LxWxD) mm	MRP: Rs.
101.0153.151	1479x504/59x20	2*450x420x200	19,990/-

621CX Omni (55"x20") / OMX 621-137-20 3 1/2" WWK REV NOF



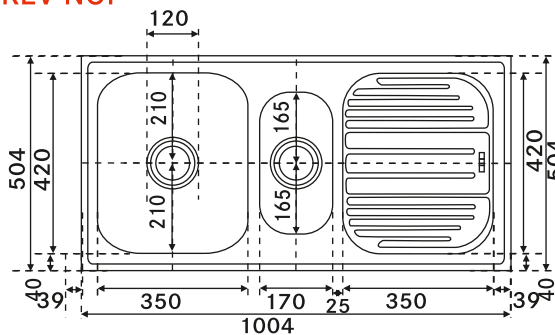
Fun:	Dimension: (LxW) mm / inch	Bowl Size: (LxWxD) mm	MRP: Rs.
101.0153.145	1379x504/55x20	450x420x200/350x420x180	18,790/-

621X Trendy (47"x20") / TRX 621 3 1/2" WWK REV NOF



Fun:	Dimension: (LxW) mm / inch	Bowl Size: (LxWxD) mm	MRP: Rs.
101.0153.143	1179x504/47x20	2x 350x420x180	15,990/-

651X Trendy (40"x20") / TRX 651 3 1/2" WWK REV NOF

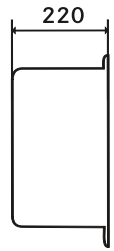
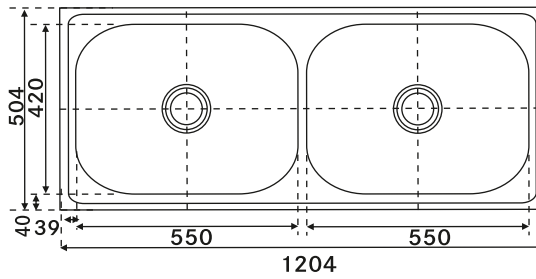


Fun:	Dimension: (LxW) mm / inch	Bowl Size: (LxWxD) mm	MRP: Rs.
101.0153.153	1004x504/40x20	350x420x180/170x330x130	17,290/-



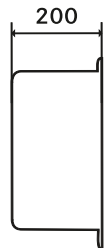
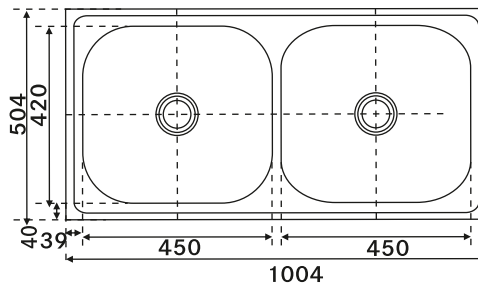
TRADITIONAL SINKS - 620 SERIES - European Satin Finish

620X Grand (48"x 20") / GRX 620-120-22 3 1/2" WWK NOF



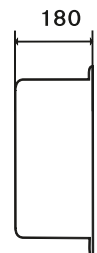
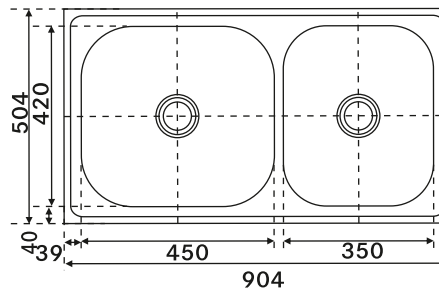
Fun:	Dimension: (LxW) mm / inch	Bowl Size: (LxWxD) mm	MRP: Rs.
101.0153.141	1204x504/48x20	2*550x420x220	19,990/-

620 X Omni (40"x 20")/ OMX 620-100-20 3 1/2" WWK NOF



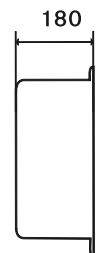
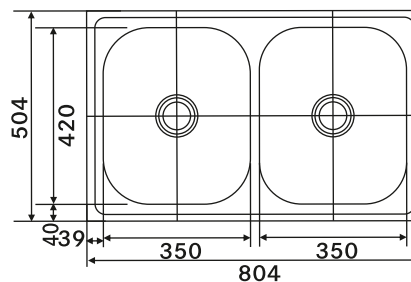
Fun:	Dimension: (LxW) mm / inch	Bowl Size: (LxWxD) mm	MRP: Rs.
101.0153.137	1004x504/40x20	2*450x420x200	16,290/-

620X Omni (36"x20") / OMX 620-90-20 3 1/2" WWK NOF



Fun:	Dimension: (LxW) mm / inch	Bowl Size: (LxWxD) mm	MRP: Rs.
101.0153.130	904x504/36x20	450x420x200 & 350x420x180	12,990/-

620 X Trendy (32"x20") / TRX 620 3 1/2" WWK NOF

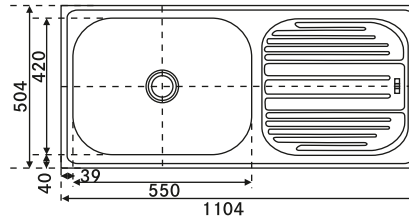


Fun:	Dimension: (LxW) mm / inch	Bowl Size: (LxWxD) mm	MRP: Rs.
101.0153.126	804x504/30x20	2*350x420x180	11,990/-

TRADITIONAL SINKS - 611 SERIES - European Satin Finish

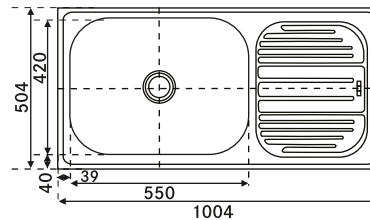


611 X Grand (44" x 20") / GRX 611-110-20 3 1/2" WWK REV NOF



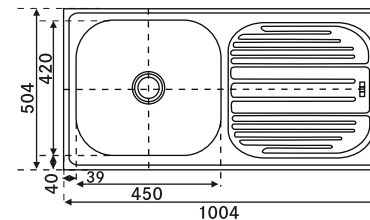
Fun:	Dimension: (LxW) mm / inch	Bowl Size: (LxWxD) mm	MRP: Rs.
101.0153.118	1104x504/44x20	550x420x220	13,290/-

611X Grand (40"x20")



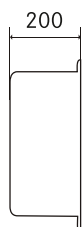
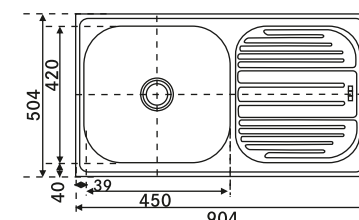
Fun:	Dimension: (LxW) mm / inch	Bowl Size: (LxWxD) mm	MRP: Rs.
101.0613.477	1004x504/40x20	550x420x220	13,590/-

611 X Omni (40" x 20") / OMX 611-100-20 3 1/2" WWK REV NOF



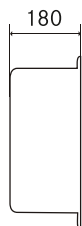
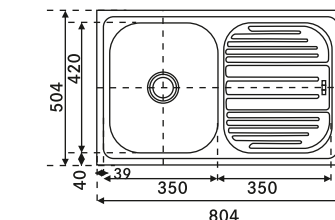
Fun:	Dimension: (LxW) mm / inch	Bowl Size: (LxWxD) mm	MRP: Rs.
101.0153.116	1004x504/40x20	450x420x200	11,390/-

611 X Omni (36" x 20") / OMX 611-90-20 3 1/2" WWK REV NOF



Fun:	Dimension: (LxW) mm / inch	Bowl Size: (LxWxD) mm	MRP: Rs.
101.0153.112	904x504/36x20	450x420x200	9,490/-

611 X Trendy (32" x 20") / TRX 611 3 1/2" WWK REV NOF

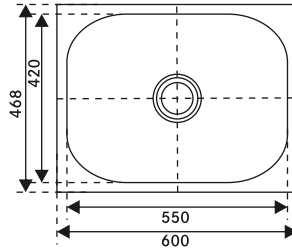


Fun:	Dimension: (LxW) mm / inch	Bowl Size: (LxWxD) mm	MRP: Rs.
101.0153.107	804x504/32x20	350x420x180	8,990/-

TRADITIONAL SINKS - 610 SERIES - European Satin Finish

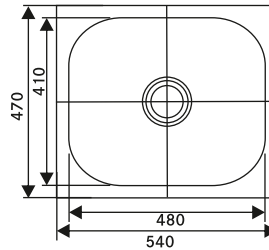


610 X Grand (24"x18") / GRX 610-60-22 3 1/2" WWK NOF ND



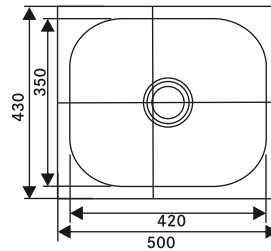
Fun:	Dimension: (LxW) mm / inch	Bowl Size: (LxWxD) mm	MRP: Rs.
101.0153.088	600x468/24x18	550x420x220	7,290/-

610 X Insti (21"x18") / ISX 610 3 1/2" WWK NOF ND



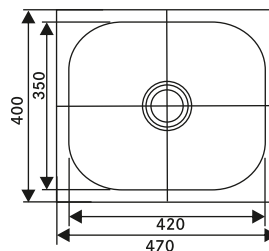
Fun:	Dimension: (LxW) mm / inch	Bowl Size: (LxWxD) mm	MRP: Rs.
101.0153.081	540x470/21x18	480x410x200	6,290/-

610 X Trendy (20"x17")



Fun:	Dimension: (LxW) mm / inch	Bowl Size: (LxWxD) mm	MRP: Rs.
101.0613.632	500x430/20x17	420x350x180	6,090/-

610 X Trendy (19"x16") TRX 610 3 1/2" WWK NOF



Fun:	Dimension: (LxW) mm / inch	Bowl Size: (LxWxD) mm	MRP: Rs.
101.0152.868	470x400/19x16	420x350x180	5,290/-

KITCHEN FAUCETS

Body Material

Bronze (59%-63%), low lead content (0.8% - 1.6%) low residue (<1.5%) – gravity casting or low pressure casting. Most products in the market are sand cased with lots of pinholes and uneven body thickness.

Electroplating

The thickness of the nickel plating is more than international and European standards and more corrosion resistant than others.

Surface chrome plating thickness for Nickel and Chrome

Franke

Nickel > 7.5u

Chrome >0.25 u

International Standard

Nickel > 5 u

Chrome > 0.1u

EN 817 / EN 200

Cartridge: German Ceramic Cartridge and Longer Life.

Flexible hose: Spanish S/S 304 exible hose, pressure resistant and corrosion resistant.

Aerator: Using top grade Aerator, integrating water saving and water flow.

Fasteners: All using Stainless Steel.

Disclaimer : Inlet pipes supplied with the product are of standard size, may vary from product to product. Check before purchase if any.



KITCHEN FAUCETS

**Eos Neo Pull Down
Spray HP SS**



Fun	115.0695.384
MRP	21,290/-
Pull Out SS Tap	

**Eos Neo Swivel
Side HP SS**

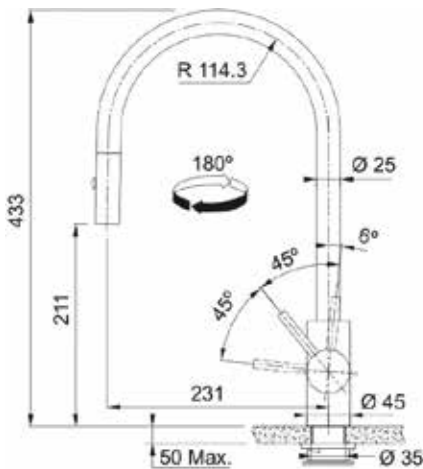


Fun	115.0695.383
MRP	16,690/-
SS Tap	

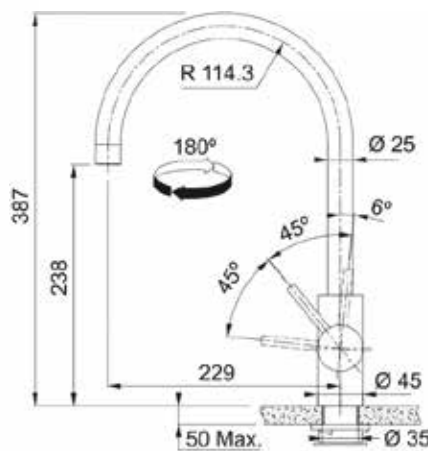
**RT 505
(LINA XL)**



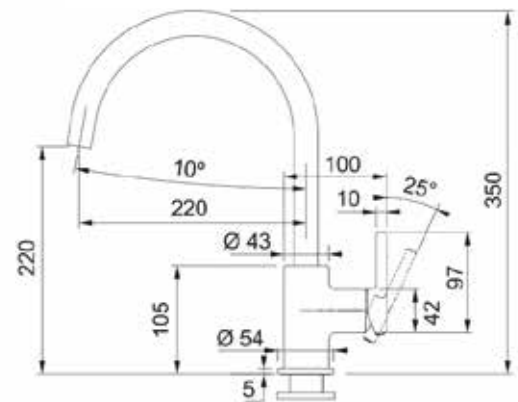
Fun	115.0695.409
MRP	₹ 9,790/-
Colour/ Finish	Chrome



unit in mm



unit in mm



unit in mm

KITCHEN FAUCETS

LLD 821 - BLACK

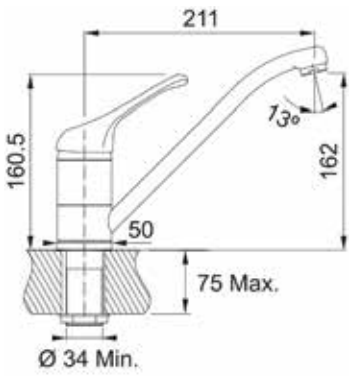
(Novara Plus Spout Top HP ON)



Fun 115.0649.636

MRP ₹ 6,490/-

Colour/ Finish Onyx/ Black



unit in mm

RMD 891 - BLACK

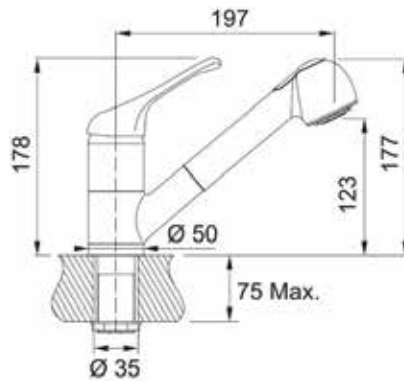
(Novara Plus Spray Top HP ON)



Fun 115.0649.637

MRP ₹ 10,690/-

Colour/ Finish Onyx/ Black



unit in mm

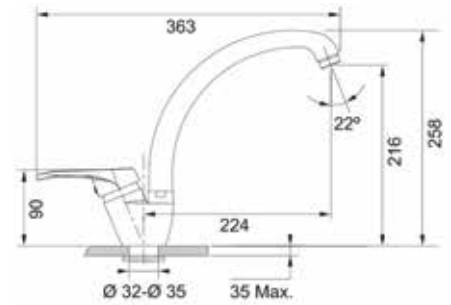
Vega Swivel Spout Side HP CH



Fun 115.0643.396

MRP ₹ 6,590/-

Colour/ Finish Chrome



unit in mm

LLD821

NOVARA-PLUS SPOUT



Fun: 115.0638.303

MRP: ₹ 5,790/-

RMD -891

(NOVARA-PLUS SPRAY TOP)



Fun: 115.0638.302

MRP: ₹ 10,590/-

▷ PULL OUT TAP

ACCESSORIES

**Plumbing Kit-1 Bowl Siphon,
Sanitized, fully assembled**



Fun:	MRP: Rs.
112.0551.361	₹: 1390/-

For Both Wall & Floor Drain Fixing Include the Extension Pipe

**Plumbing Kit - 2 Bowl Siphon,
Sanitized, fully assembled**



Fun:	MRP: Rs.
112.0551.365	₹: 2,090/-

For Both Wall & Floor Drain Fixing Include the Extension Pipe

Plumbing Kit Extension Pipe Twist Drill For Granite Sink



Fun:	
133.0043.685	Part of Plumbing Kit



Fun:	Size	MRP: Rs.
112.0473.656	35mm	500/-

BIO WASTE DISPOSER 0.5 HP/0.75HP/1.25 HP



INTRODUCTION

Franke “Turbo Elite” Waste Disposal Unit is designed to free the kitchen of unsightly and unhygienic household waste and is the essential add-on for ensuring that your kitchen remains looking immaculate.

Thanks to a permanent magnet motor, Franke WDUs reach high speed in a split second, producing more torque per kilo than any other of its type. Whilst running water through the unit, food waste is instantly liquefied into fine particles that are easily flushed through the pipework system.

Includes integrated Air Switch. Includes antibacterial protection for odour control.

This is a slim line model ideal for fitting into 1.5 bowl sinks where space may be limited.

ADVANTAGES

1. MOTOR

Due to the high speed and torque (twisting power) of the permanent magnet motor, most potential jams are eliminated.

A common problem with induction motors is that they have a starting winding and running winding. When the disposer is used improperly, i.e. food waste being deposited before starting the disposer, it is up to the starting winding to overcome the load on the turntable.

This often results in jamming since the starting winding does not have the torque necessary to overcome many jamming situations.

The Permanent Magnet Motor used in the Bio Shield Series disposer reaches full torque on the initial revolution, therefore avoiding the jamming situations as mentioned above.

TORQUE MASTER

Features Balanced turntables and balances armatures as the heart of the system. This along with corrosion proof components provide for less vibration.

2. BIO SHIELD

A Unique Antimicrobial agent is permanently molded into the “Wet” components that helps prevent bacteria-caused odors.

It also inhibits the growth of a wide range of microorganisms.

3. BUILT-IN AIR SWITCH

This model features a Built-In Air Switch Power Option. Turn on your disposer by the power switch or by pushing a button that creates air pressure to turn on disposer. Great option for use with islands.

4. Corrosion Proof

The Number One cause of failure for our competitors’ disposers is corrosion. Corrosion can cause leaks, jams, and allows bigger food particles through holes enlarged by rusting, which can cause clogging of the drain pipes.

Our all “Turbo Elite Series” models have stainless steel metal grinding chamber parts (turntable, swivel impellers, and the grind ring). This makes the Turbo Elite Series disposer corrosion proof.



BIO WASTE DISPOSER 0.5 HP/0.75HP/1.25 HP



Food Waste disposer WDJ50

FUN:	134.0482.020
MRP:	Rs. 17,090/-
Horsepower	0.5 HP
Motor RPM	2600 RPM
Amps	2.25
Motor Type	Permanent
Grinding Ring	CRCA
Swivel Impellers	Stamped SS
Turntable	Stainless Steel
Weight in Kgs	4.23
Type	Manual

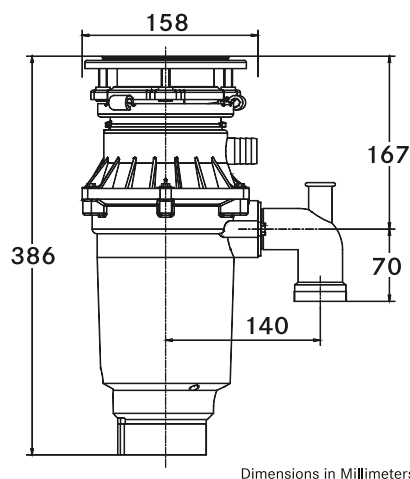
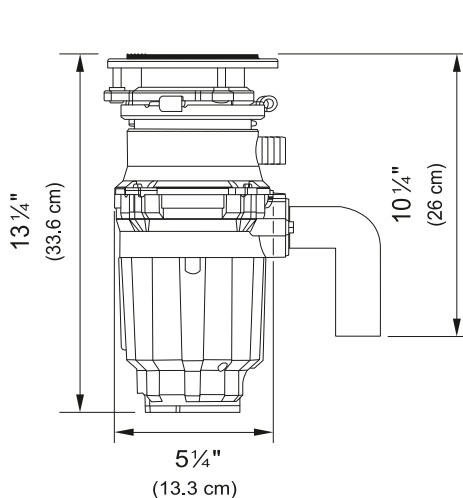
Food Waste Disposer TE-75S

FUN:	134.0547.814
MRP:	Rs. 24,590/-
Horsepower	0.75 HP
Motor RPM	2700 RPM
Amps	3.25
Motor Type	Permanent
Grinding Ring	Stainless Steel
Swivel Impellers	Cast SS
Turntable	Stainless Steel
Weight in Kgs	5.23
Type	Air Switch Included

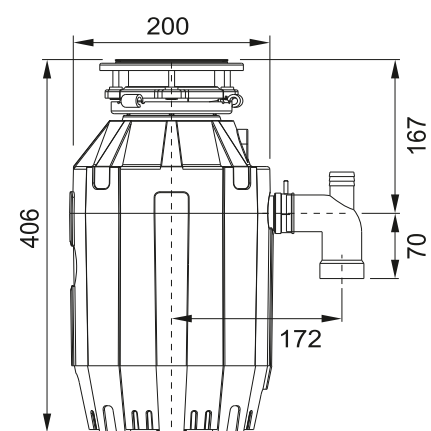
Food Waste Disposer TE-125 1-1/4 HP

FUN:	134.0473.237
MRP:	Rs. 27,590/-
Horsepower	1.25 HP
Motor RPM	2700 RPM
Amps	4.5
Motor Type	Permanent
Grinding Ring	Stainless Steel
Swivel Impellers	Cast SS
Turntable	Stainless Steel
Weight in Kgs	7.00
Type	Air Switch Included

Note: FFIPL Offers a Standard warranty of 1 Year from the date of Purchase. Read the user manual carefully before installation.



Dimensions in Millimeters



Dimensions in Millimeters

DISCLAIMER

The overall sizes & bowl sizes indicated are in mm and inches, Which are rounded off to the nearest decimal. For Granite Cutting please refer the dimensions from actual product only. Franke will not be responsible for any mistake during granite cutting. Franke reserves the right to alter models, prices and specification without any prior notice.

WARRANTY



25 Year Warranty

All Franke Stainless Steel Sinks are guaranteed for 25 Year against faulty workmanship and material.



5 Year Warranty

All Franke Color Sinks are guaranteed for 5 Year against faulty workmanship and material.



1 Year Warranty

All Franke Taps, Bio Waste Disposer, Plumbing Kit , Roller Mat and Accessories are guaranteed for 1 Year against faulty workmanship and material.

DISCLAIMER

The overall sizes & bowl sizes indicated are in mm and inches, Which are rounded off to the nearest decimal. For Granite Cutting please refer the dimensions from actual product only. Franke will not be responsible for any mistake during granite cutting. Franke reserves the right to alter models, prices and specification without any prior notice.

The top of Assistance, if ever needed.

A 360° guarantee on the entire family

All of our products are meant to be of the highest quality. That is why it is unlikely you will ever need our Assistance, but if you ever would, we will be there for you in an instant and ready to help. Our exclusive warranty also extends to sinks and mixers in addition to the classic coverage provided on household appliances. An important initiative in the sector that makes after-sale service more and more complete and structured.

Customer Care and Technical Assistance

To report any problems with sinks and mixers with in warranty period please contact Customer Service 1800 209 3484

The first on the line to help you will be our call centre, providing you with advice and instruction to solve the issue. If unsuccessful, we will proceed by sending you directly the easy-fix parts you will need or the Franke Service Centre will be available to solve any technical issue and restore the conformity of the product through a repair or a replacement. Do not worry, we are here to help and your satisfaction comes first.

The Customer Service

E mail: ks-appliances.in@franke.com Follow us on: [Facebook/frankeindia](https://www.facebook.com/frankeindia)

For more information
and for details on warranty
conditions: www.franke.com

Helpline No: 1800 209 3484

Note: Features and specifications as shown may not be part of standard accessories and are subject to change without prior notice. All dimensions are approximate.

FRANKE

India Regd. Office:

FRANKE FABER INDIA PVT. LTD.

Gate No.: 1086 / 1 / 2, Nagar Road,
Sanaswadi, Tai Shirur, Pune - 412208,
Maharashtra, India.

Global:

Franke-Strasse 2
P.O. Box 4663 Aarburg,
Switzerland

Works:

FRANKE FABER INDIA PVT. LTD.

Plot No. L-7, MIDC, Waluj Industrial Area,
Aurangabad-431136,
Maharashtra, India.